

A

B

C

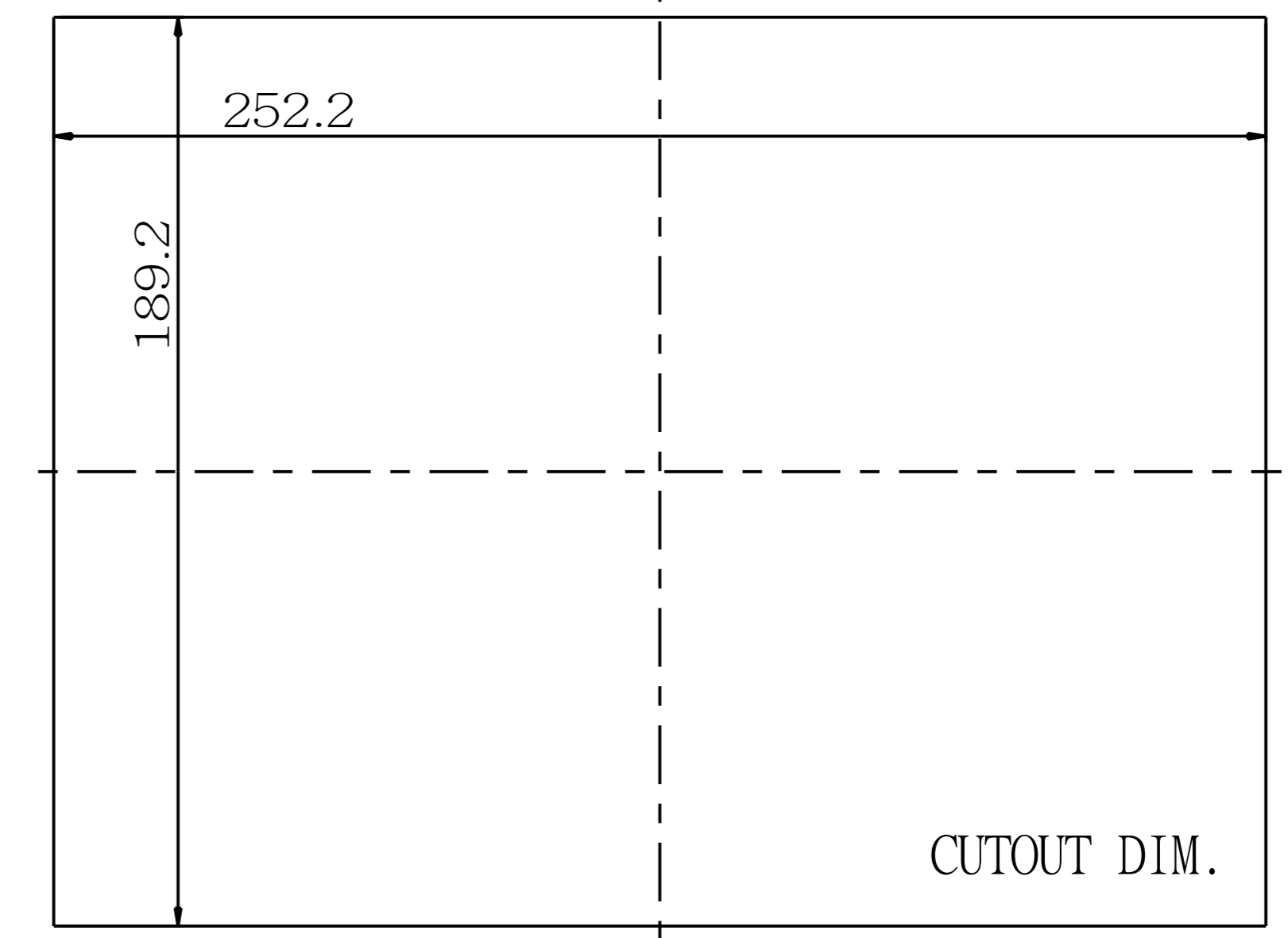
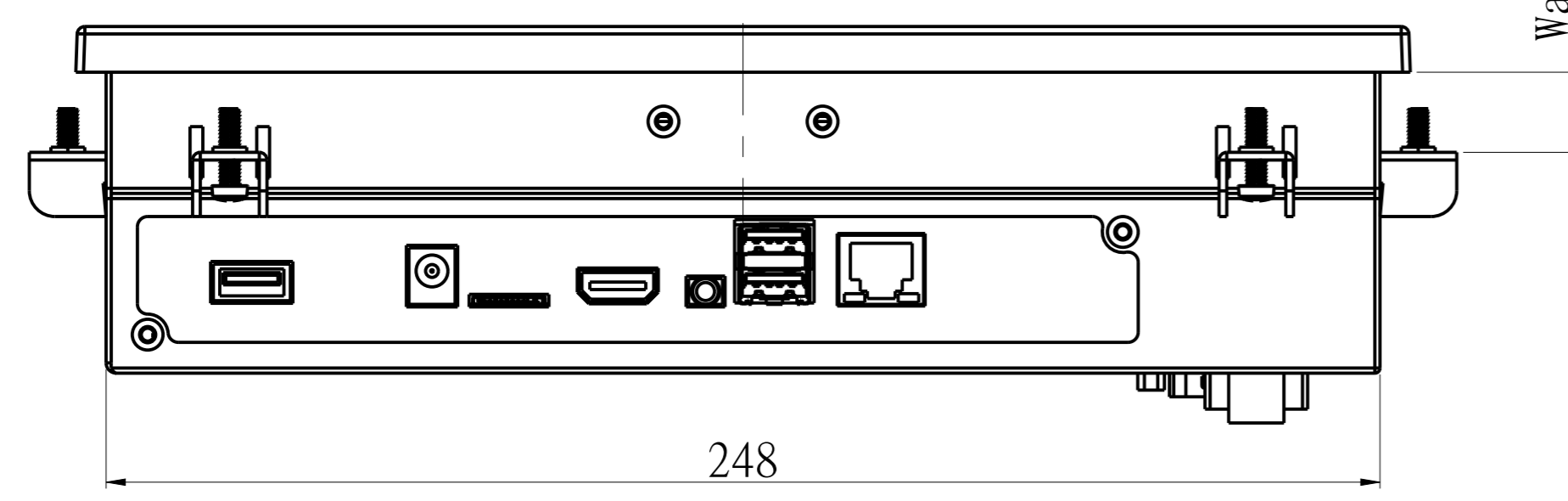
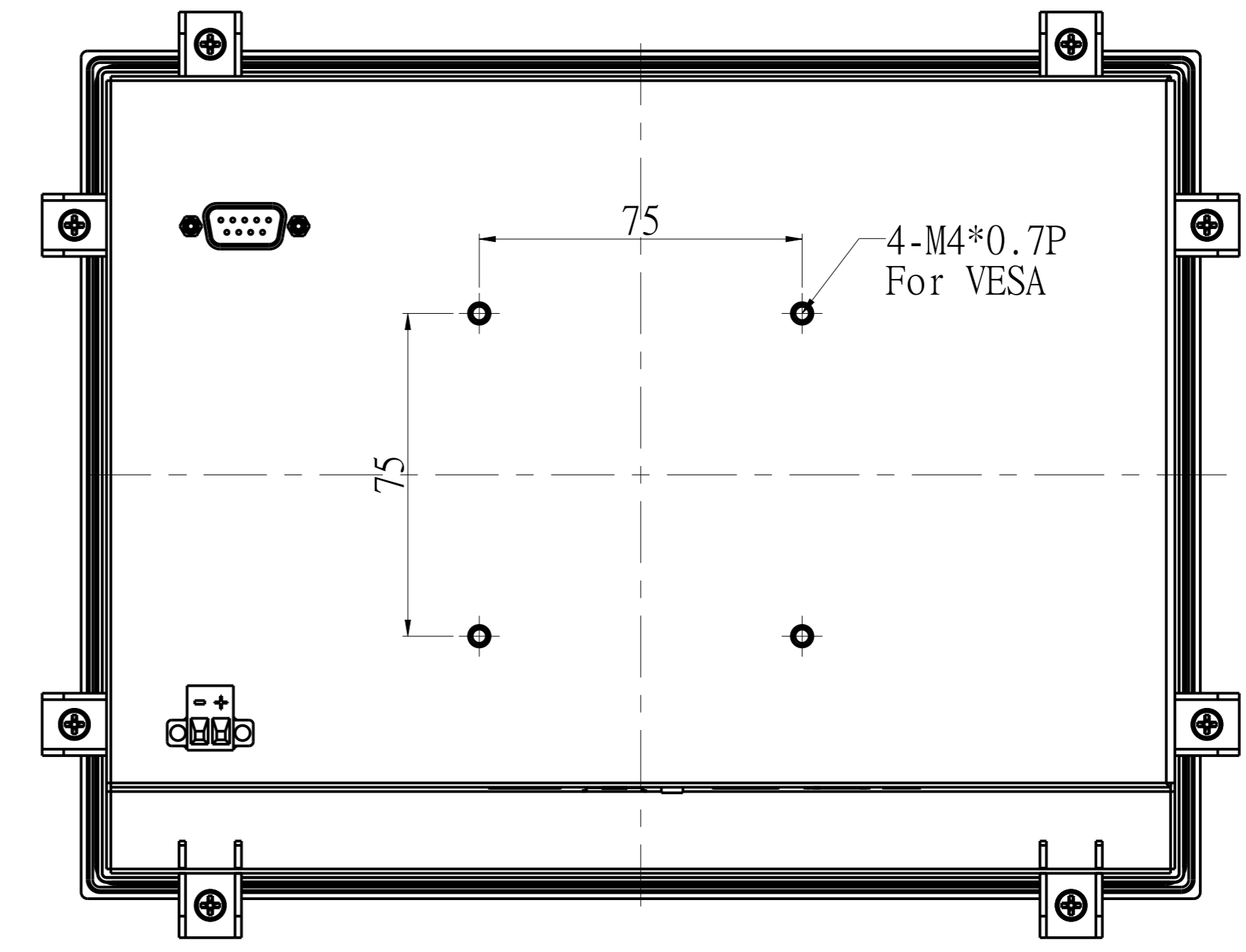
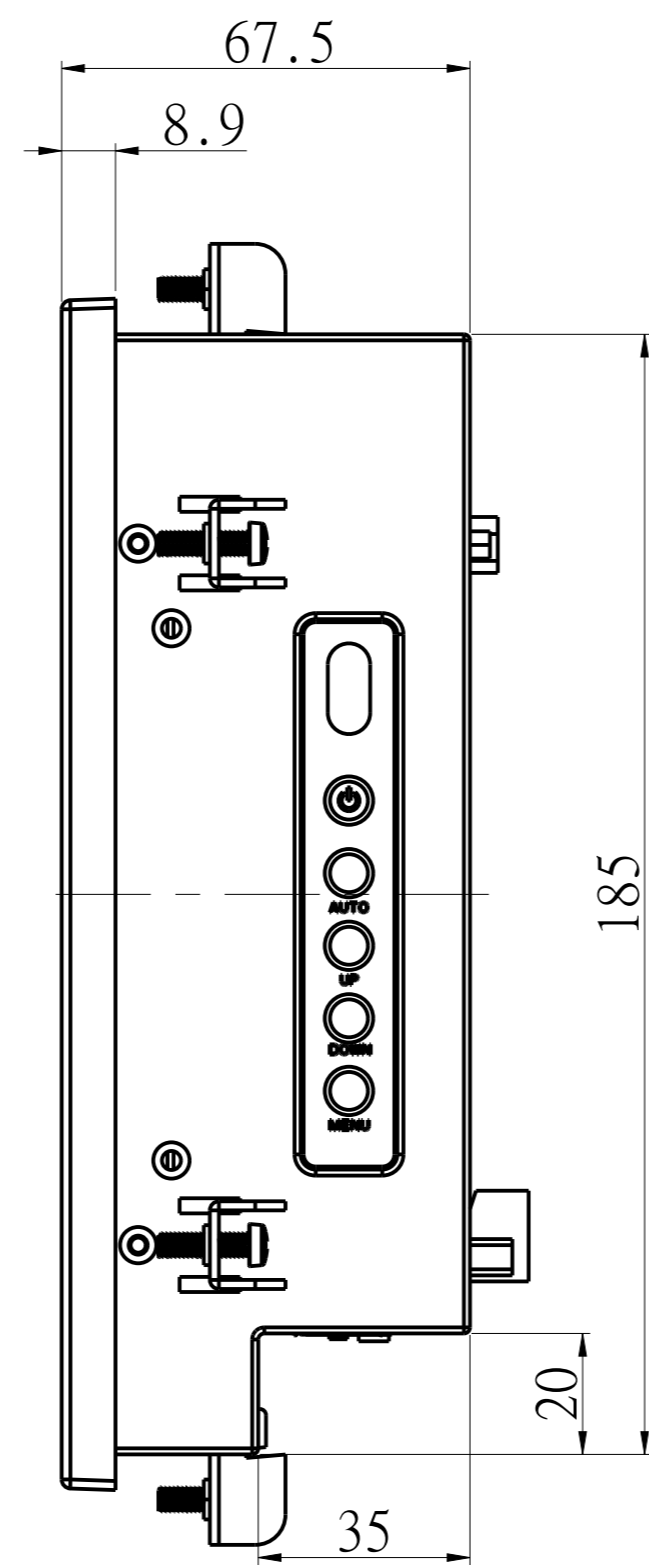
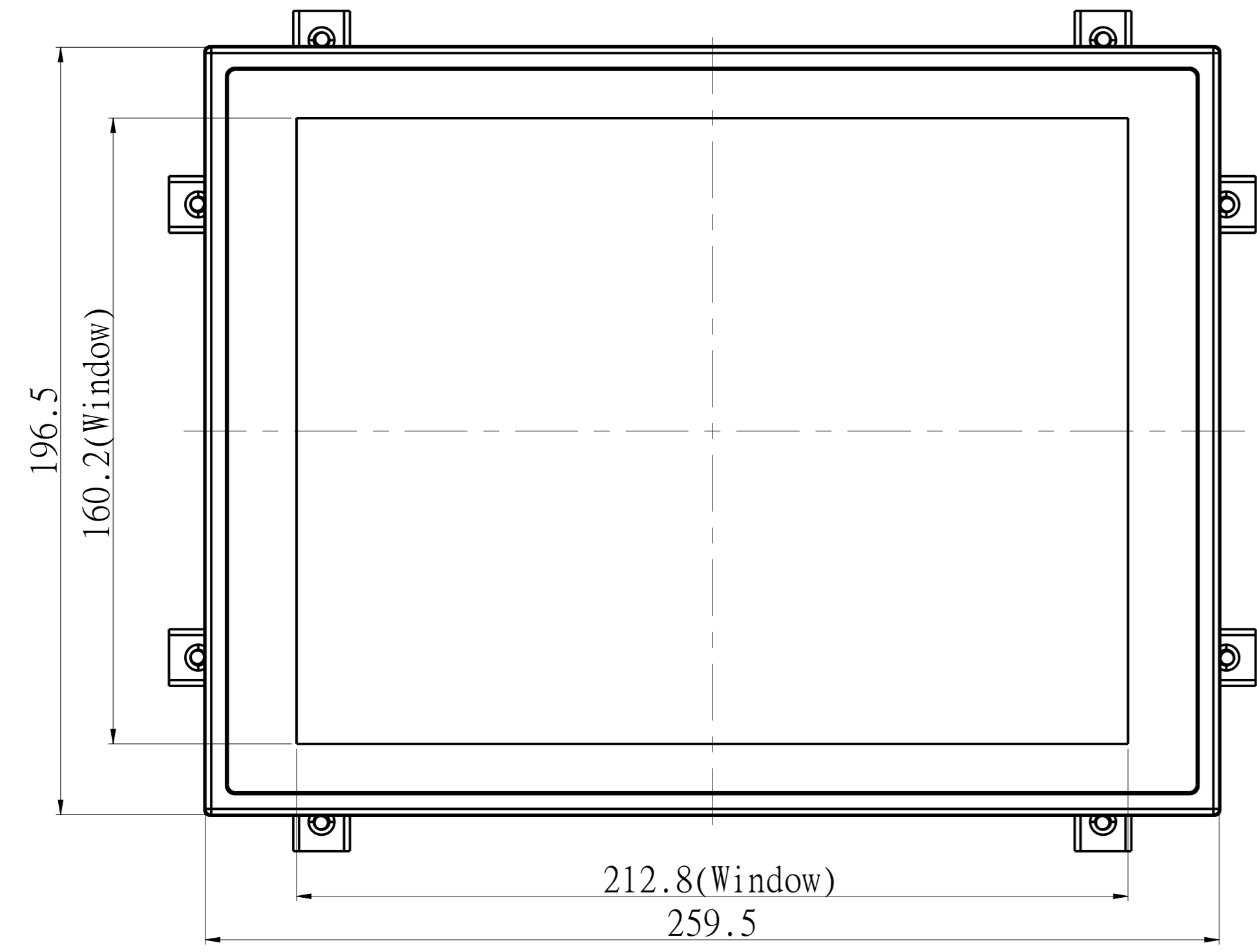
D

A

B

C

D



AD/BOARD		MODEL	ZPM104A			Winsonic Electronics. Co., Ltd.					
INVERTER											
KEY PAD											
PANEL:	VERSION	MATERIAL	METAL	DATE	2018-Jan-10	PART NAME	ASSEMBLY				
	V1					APPROVED	DRAWN	Chris	SCALE	0.800	
									UNIT	MM	