

1

2

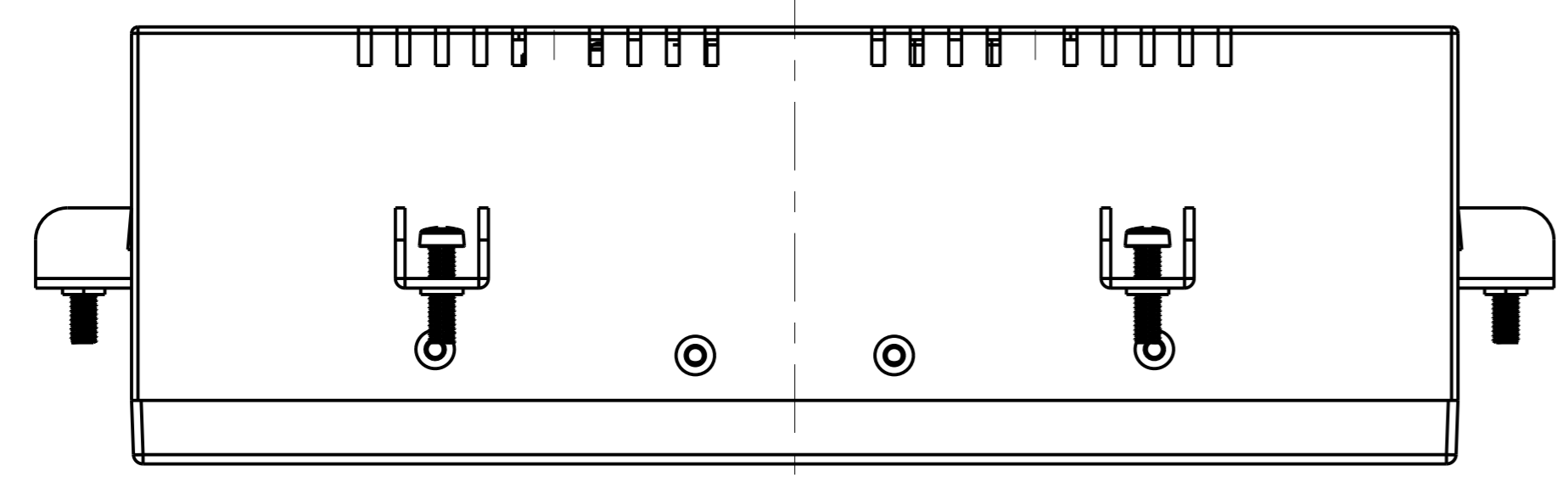
3

4

5

A

A



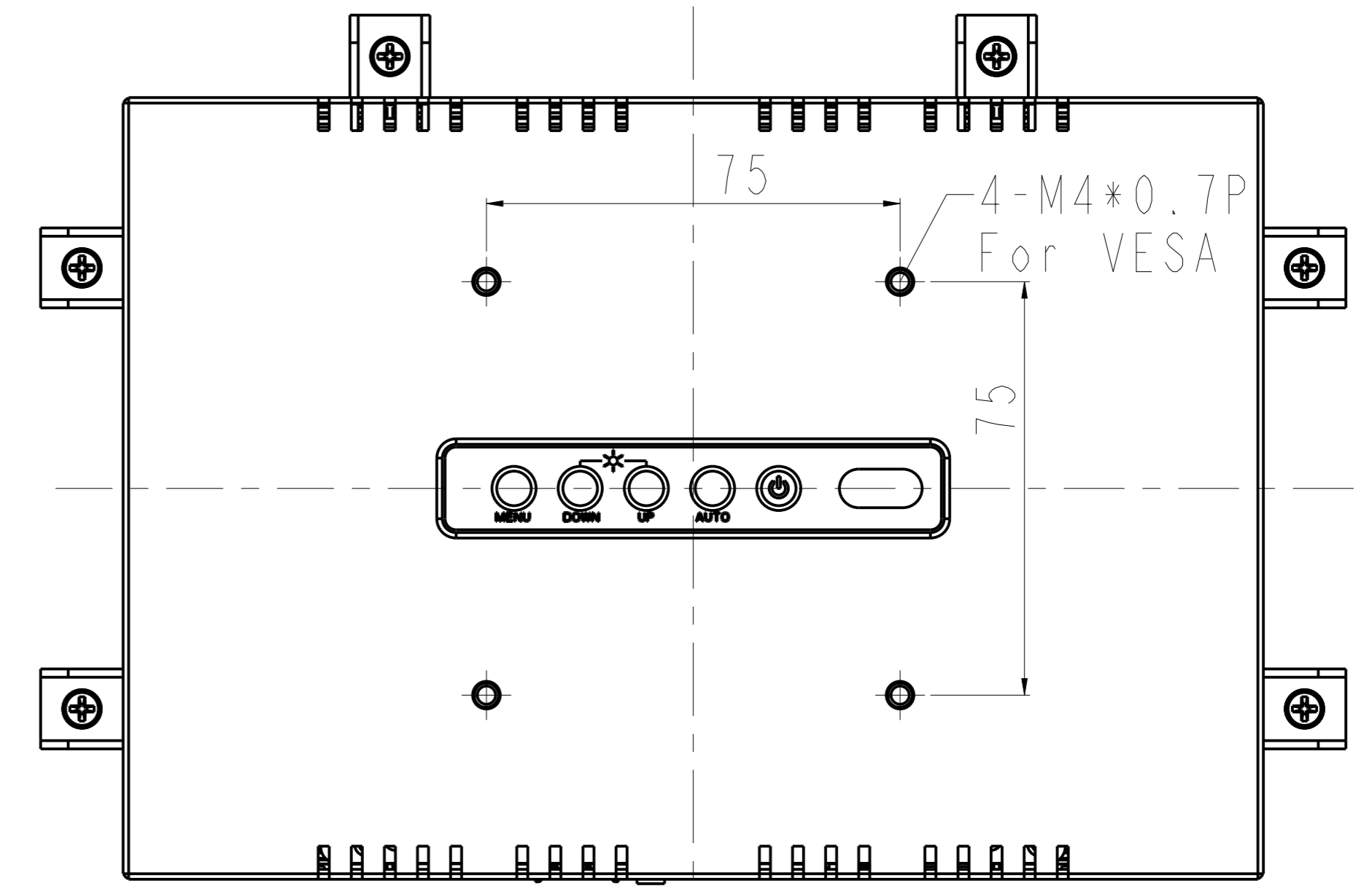
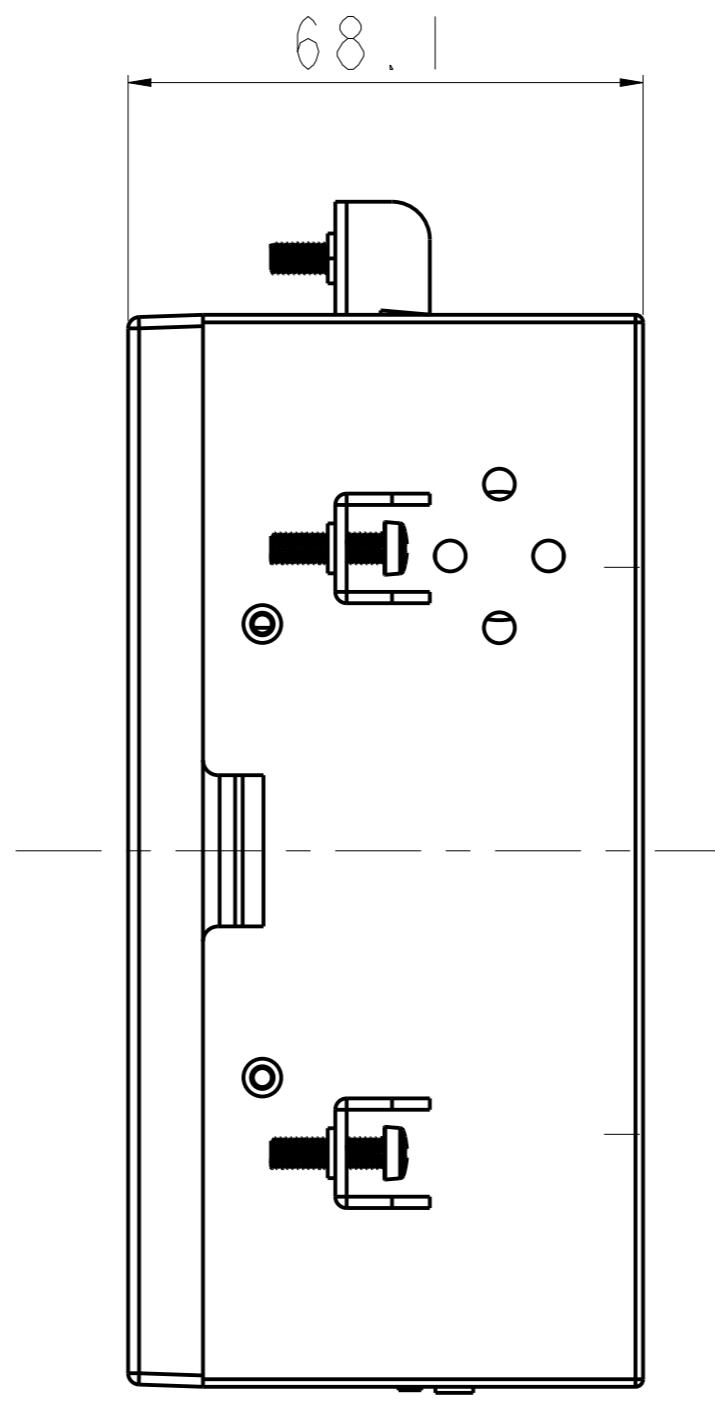
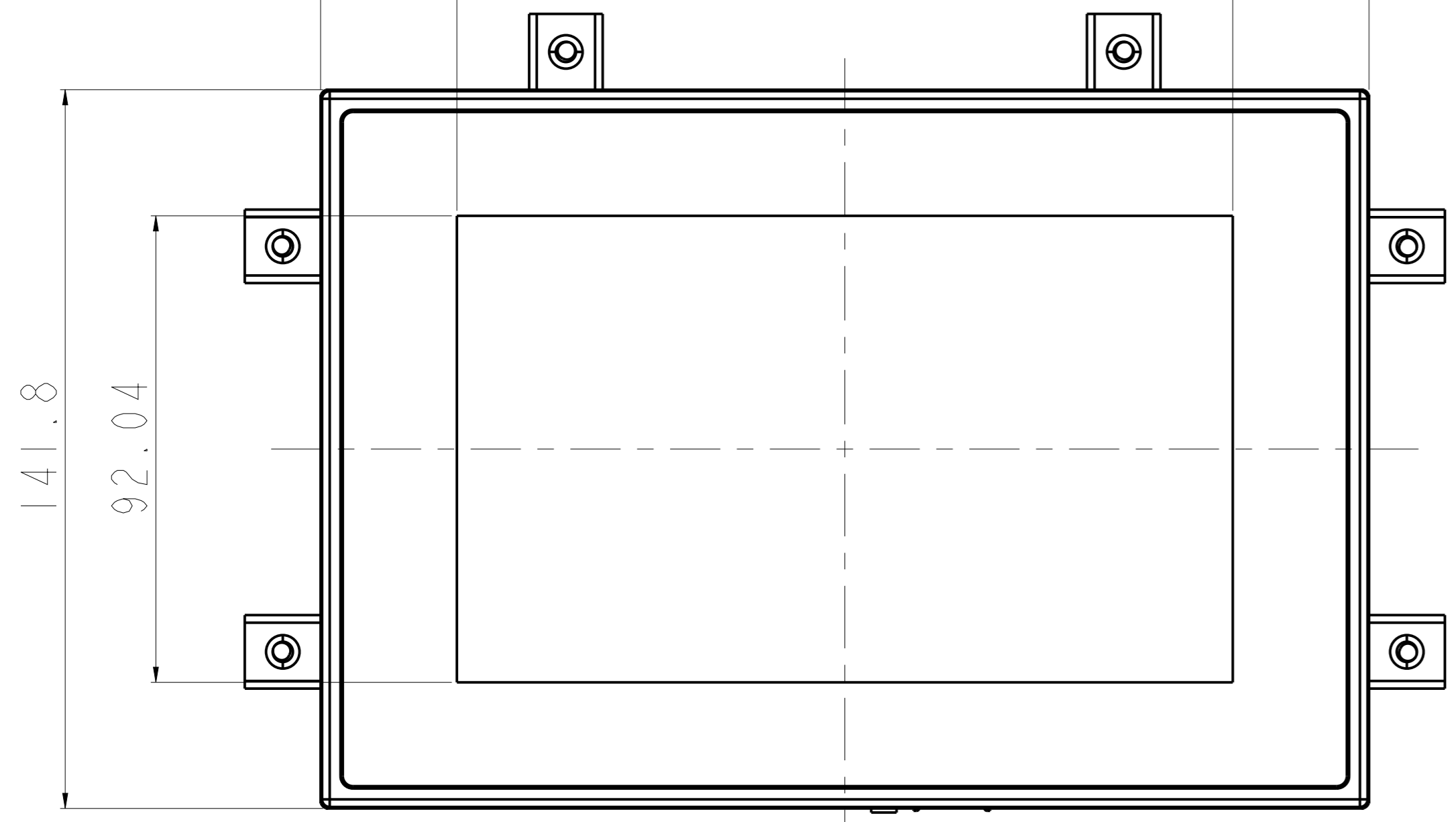
206.75

153

68.1

B

B



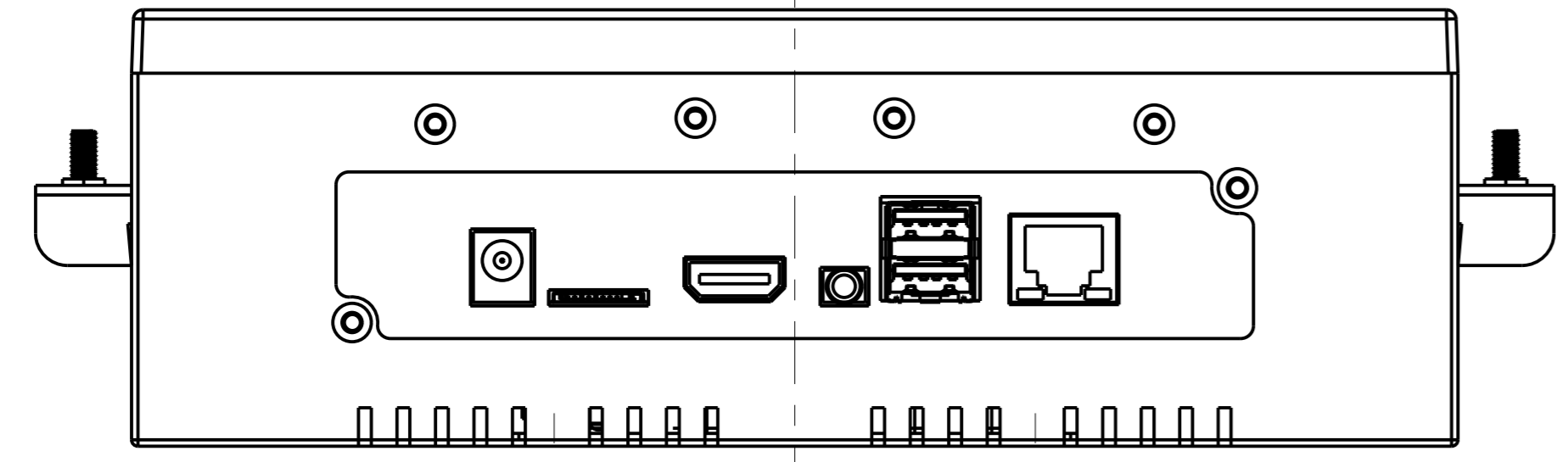
75

75

4-M4*0.7P
For VESA

C

C



D

D

AD/BOARD		MODEL	ZPCH070A		Winsonic Electronics. Co., Ltd.					
INVERTER		PART NO.			PART NAME	ASSEMBLY				
KEY PAD								SCALE	1	
PANEL :		MATERIAL	METAL	DATE	2018-Sep-07	APPROVED	DRAWN	Neil	UNIT	MM

1

2

3

4

5