

1

2

3

4

5

A

A

B

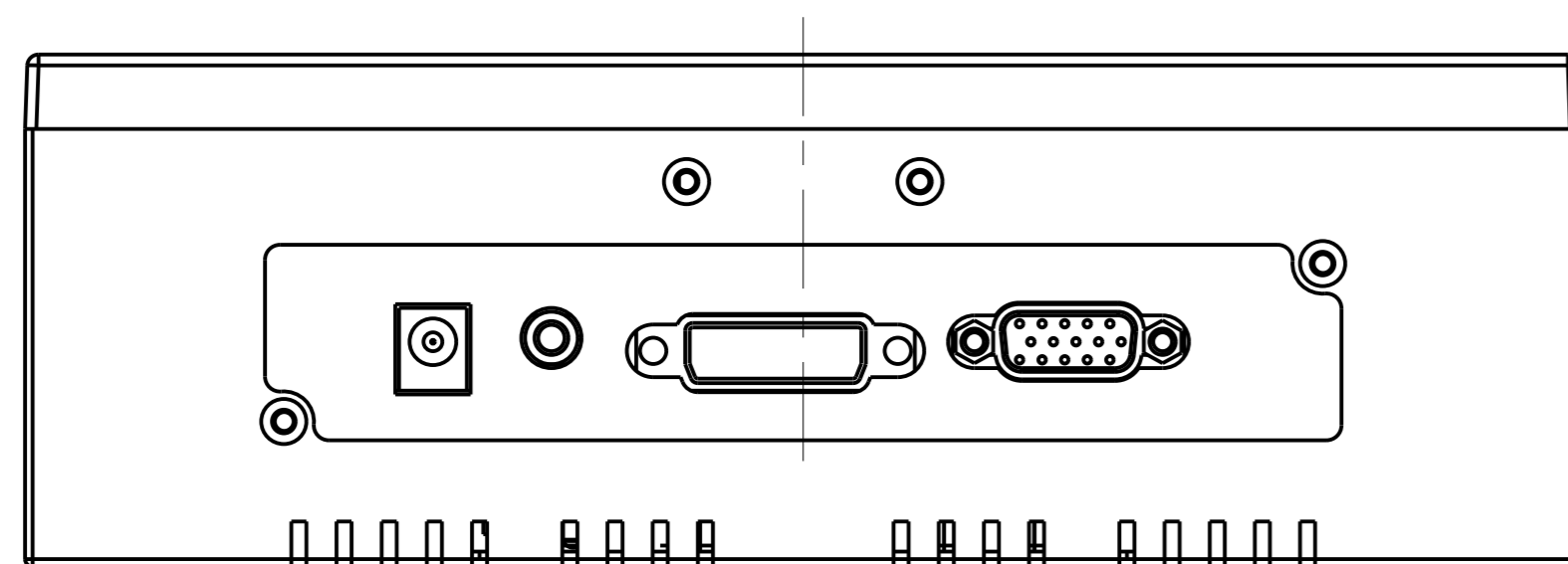
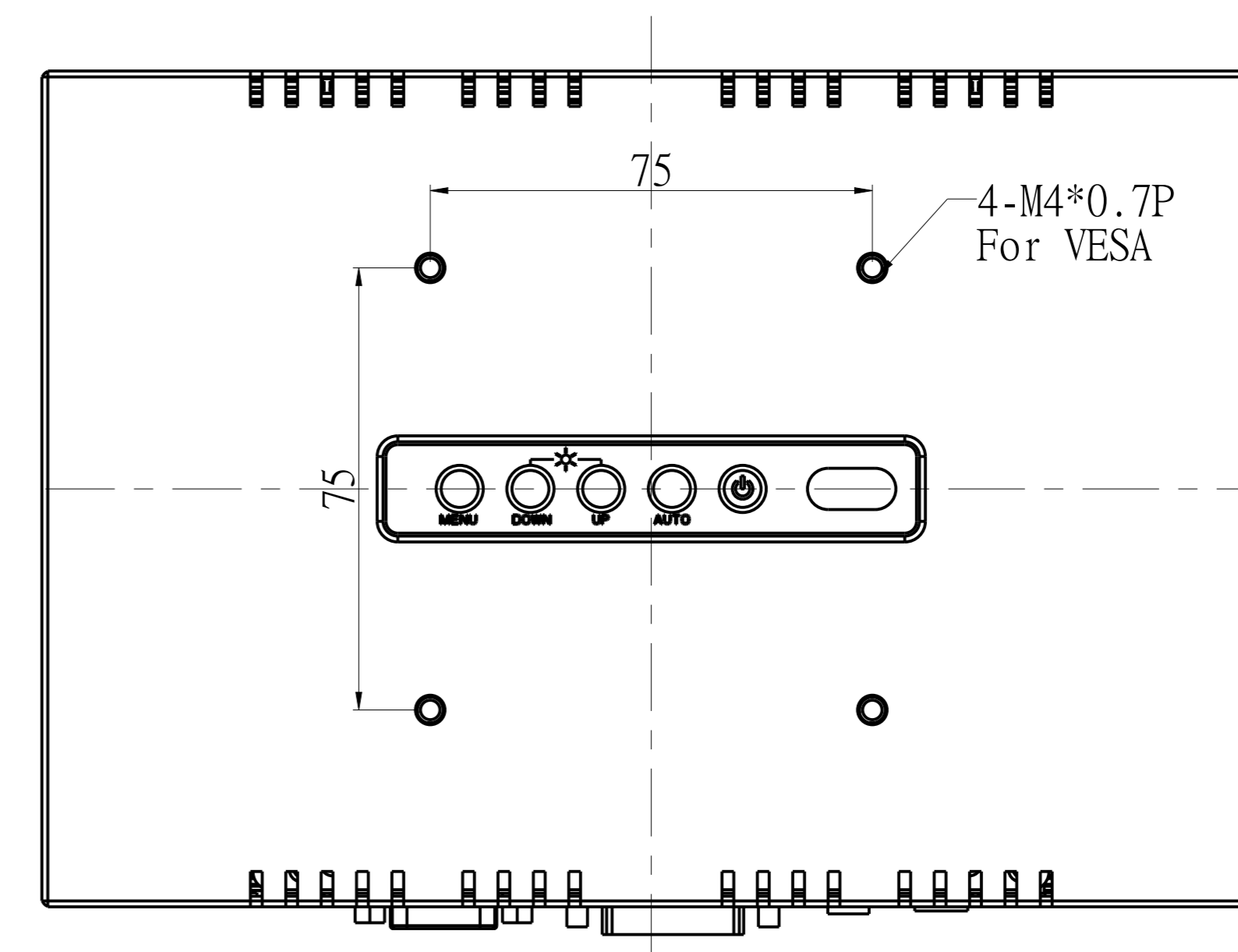
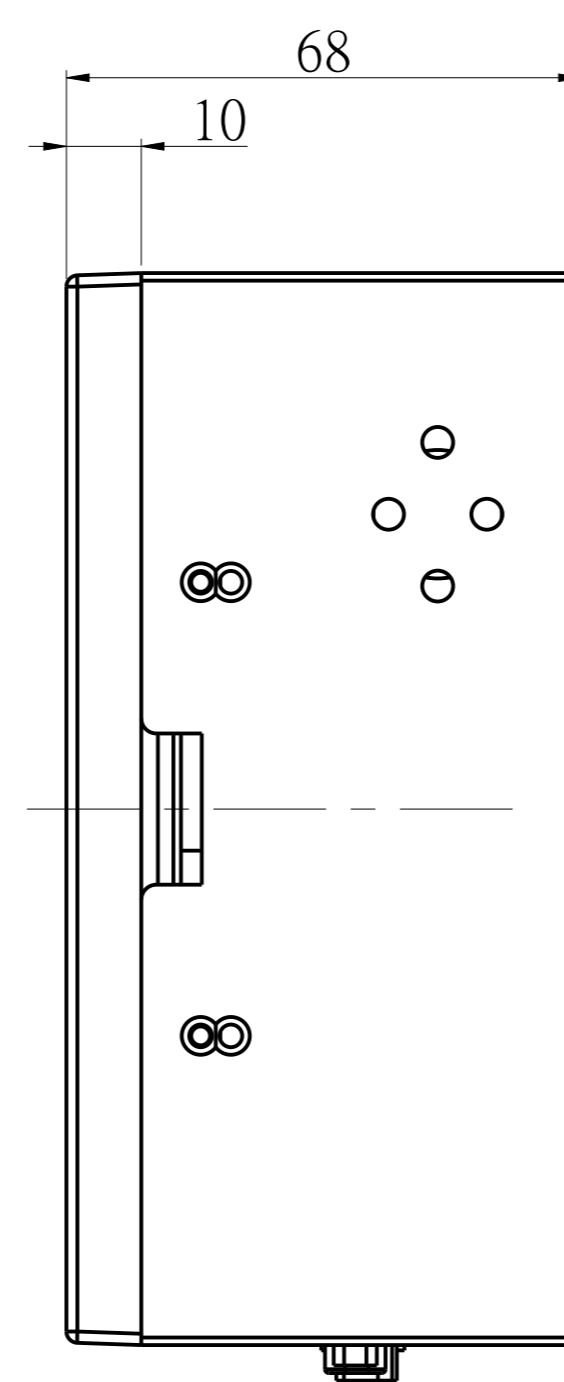
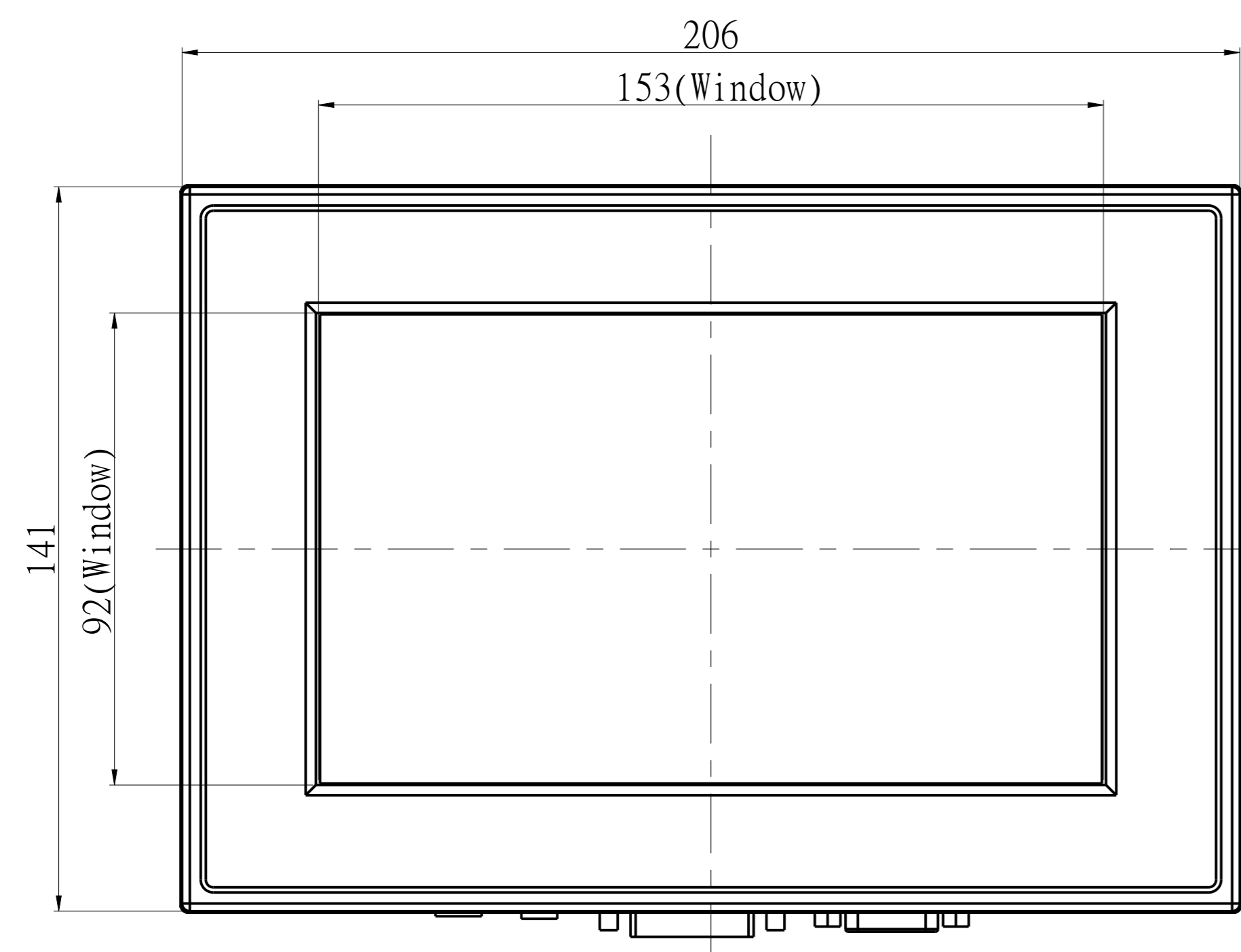
B

C

C

D

D



AD/BOARD		MODEL	ZCH070A			Winsonic Electronics. Co., Ltd.					
INVERTER											
KEY PAD											
PANEL:		VERSION	MATERIAL	METAL	DATE	2018-Jan-09	PART NAME	ASSEMBLY			
		V1					APPROVED	DRAWN	Chris	SCALE	1.000

1

2

3

4

5