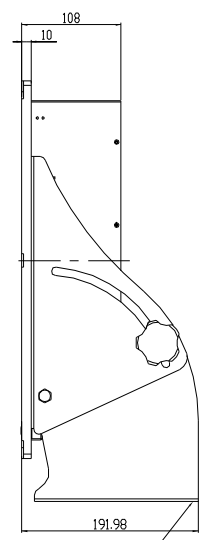
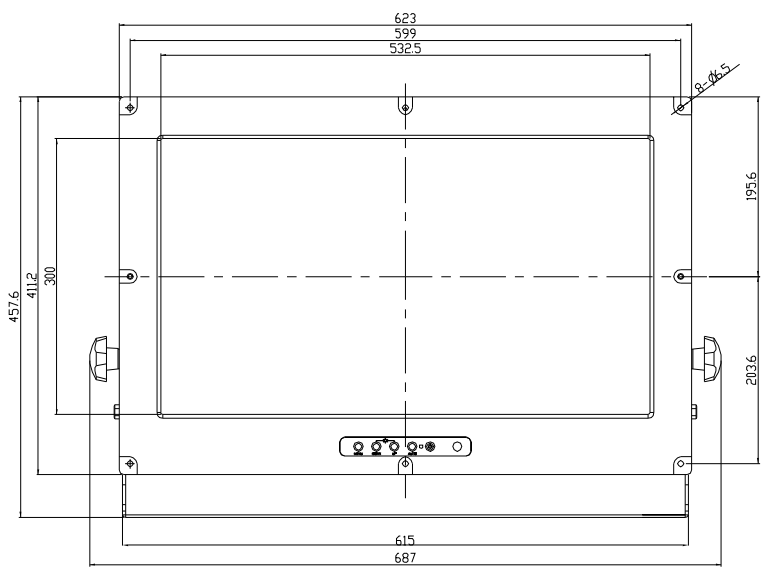


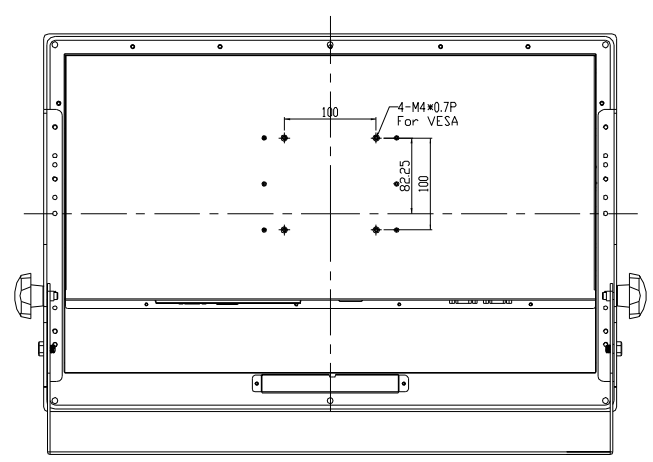
AD/BOARD		MODEL	MPFM24031			Winsonic Electronics. Co., Ltd.				
INVERTER										
KEY PAD										
PANEL:	VERSION	MATERIAL	METAL	DATE	2014-Jul-25	PART NAME	ASSEMBLY			
	V1					APPROVED	DRAWN	Chris	SCALE	0.500
						UNIT	MM			

1 2 3 4 5

A

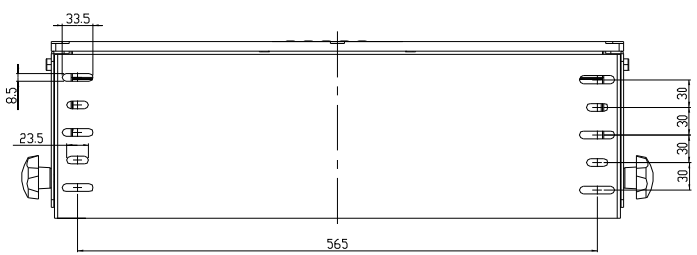


YOKE-Optional



B

C



D

AD/BOARD		MODEL	MPFM24031-YOKE			Winsonic Electronics. Co., Ltd.					
INVERTER											
KEY PAD											
PANEL:		VERSION	MATERIAL	METAL	DATE	2015-Aug-28	PART NAME	ASSEMBLY			
	V1						APPROVED	DRAWN	Chris	SCALE	0.500
							UNIT	MM			