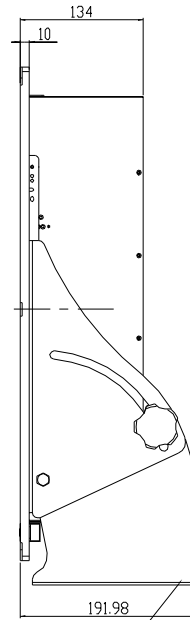
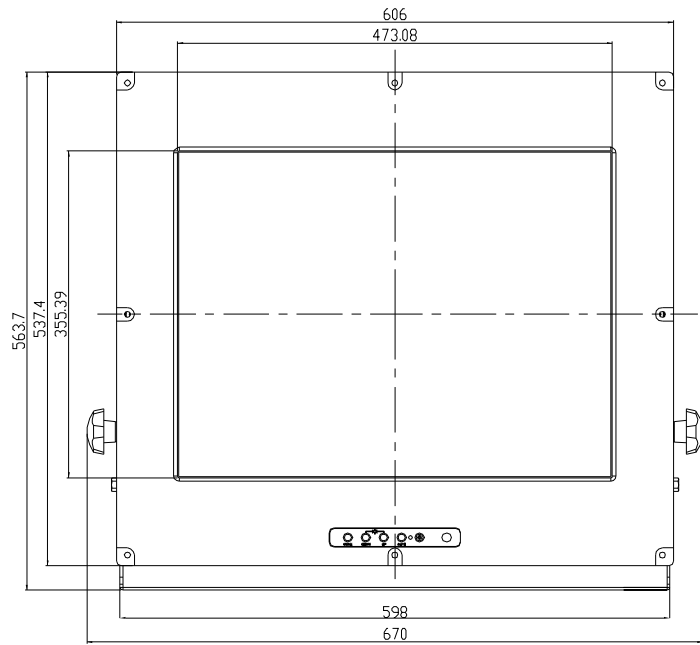
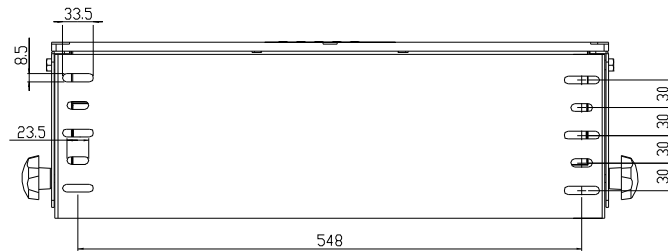
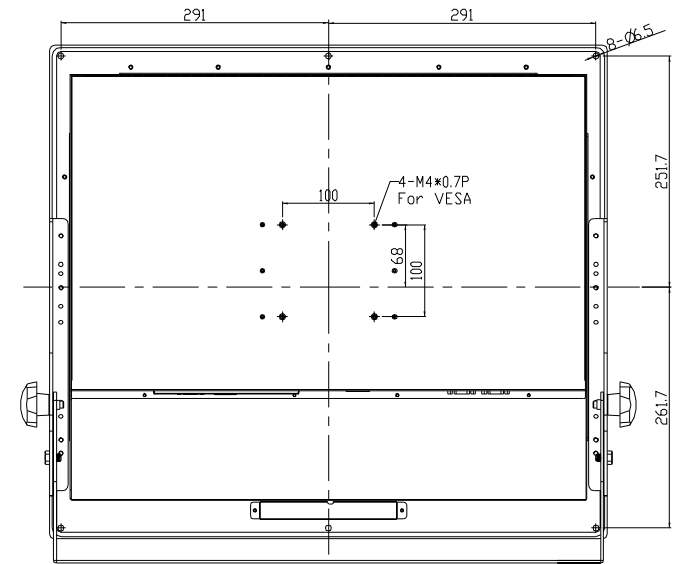


AD/BOARD		MODEL	MPFM23131			Winsonic Electronics. Co., Ltd.				
INVERTER										
KEY PAD										
PANEL:	VERSION	MATERIAL	METAL	DATE	2014-Jul-25	PART NAME	ASSEMBLY			
	V1					APPROVED	DRAWN	Chris	SCALE	0.500
						UNIT	MM			



YOKE-Optional



AD/BOARD		MODEL	MPFM23131-YOKE			Winsonic Electronics. Co., Ltd.				
INVERTER										
KEY PAD										
PANEL:	VERSION	MATERIAL	METAL	DATE	2015-Aug-28	PART NAME	ASSEMBLY			
	V1					APPROVED	DRAWN	Chris	SCALE	0.500
						UNIT	MM			