

1

2

3

4

5

A

A

B

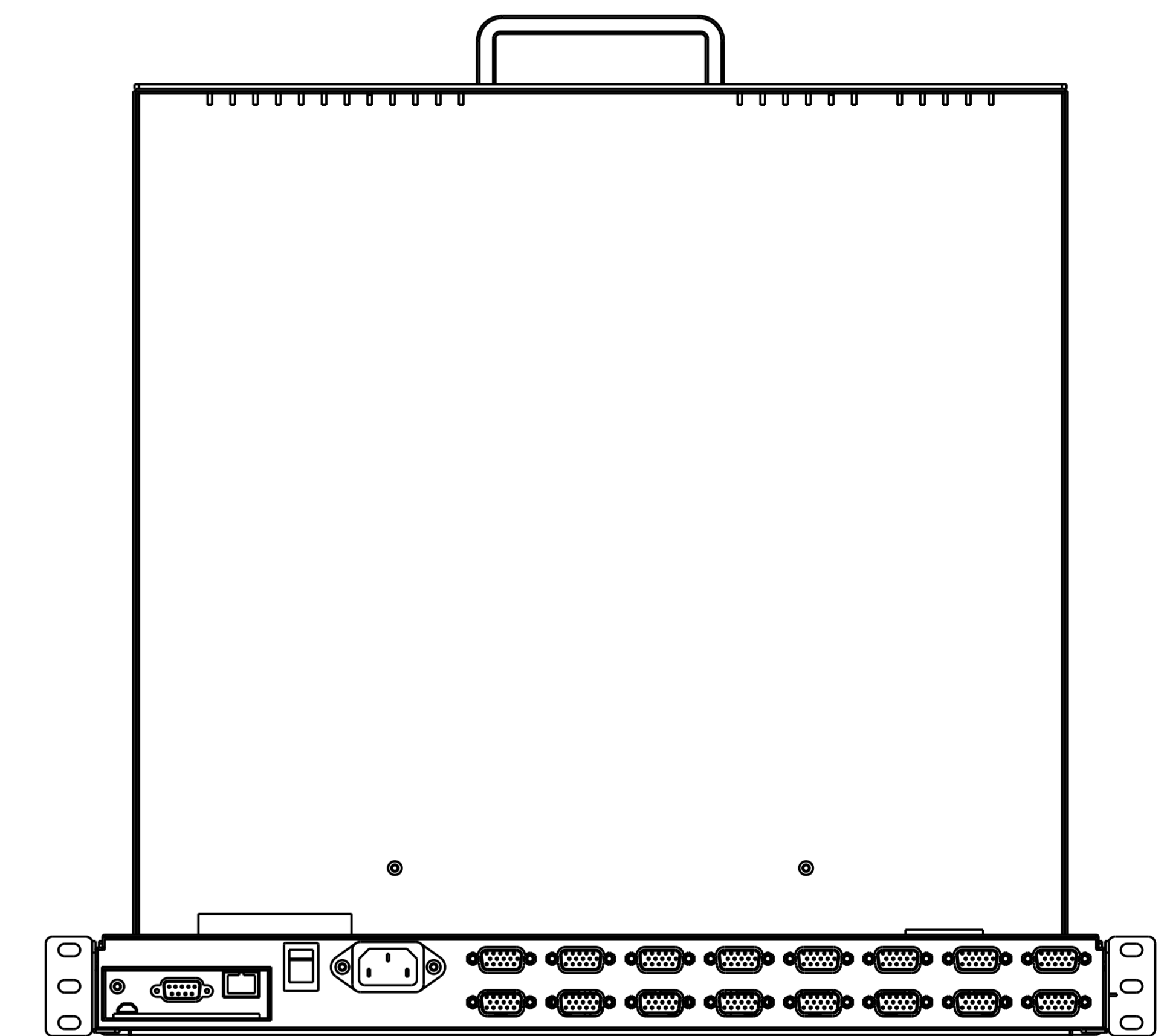
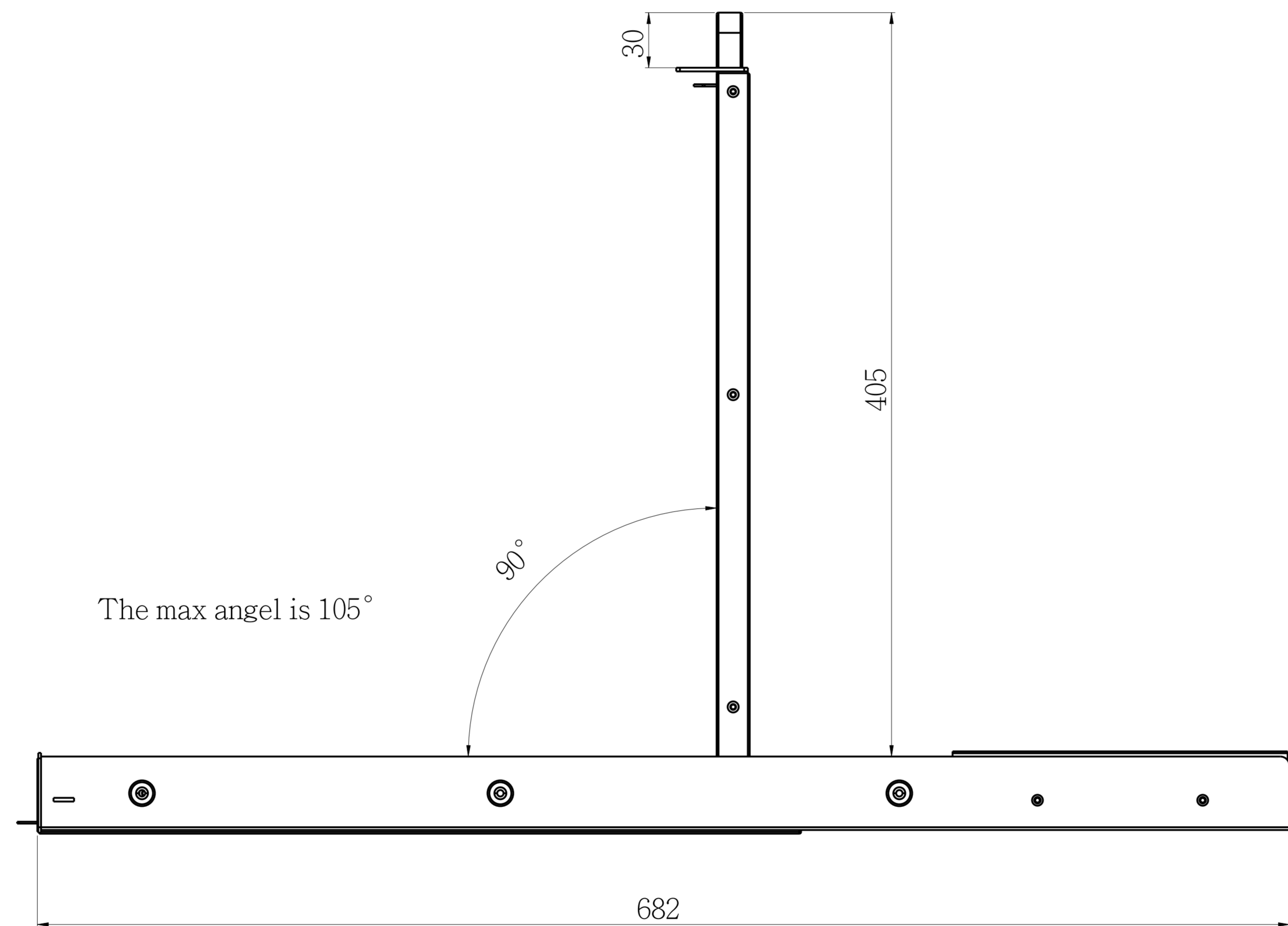
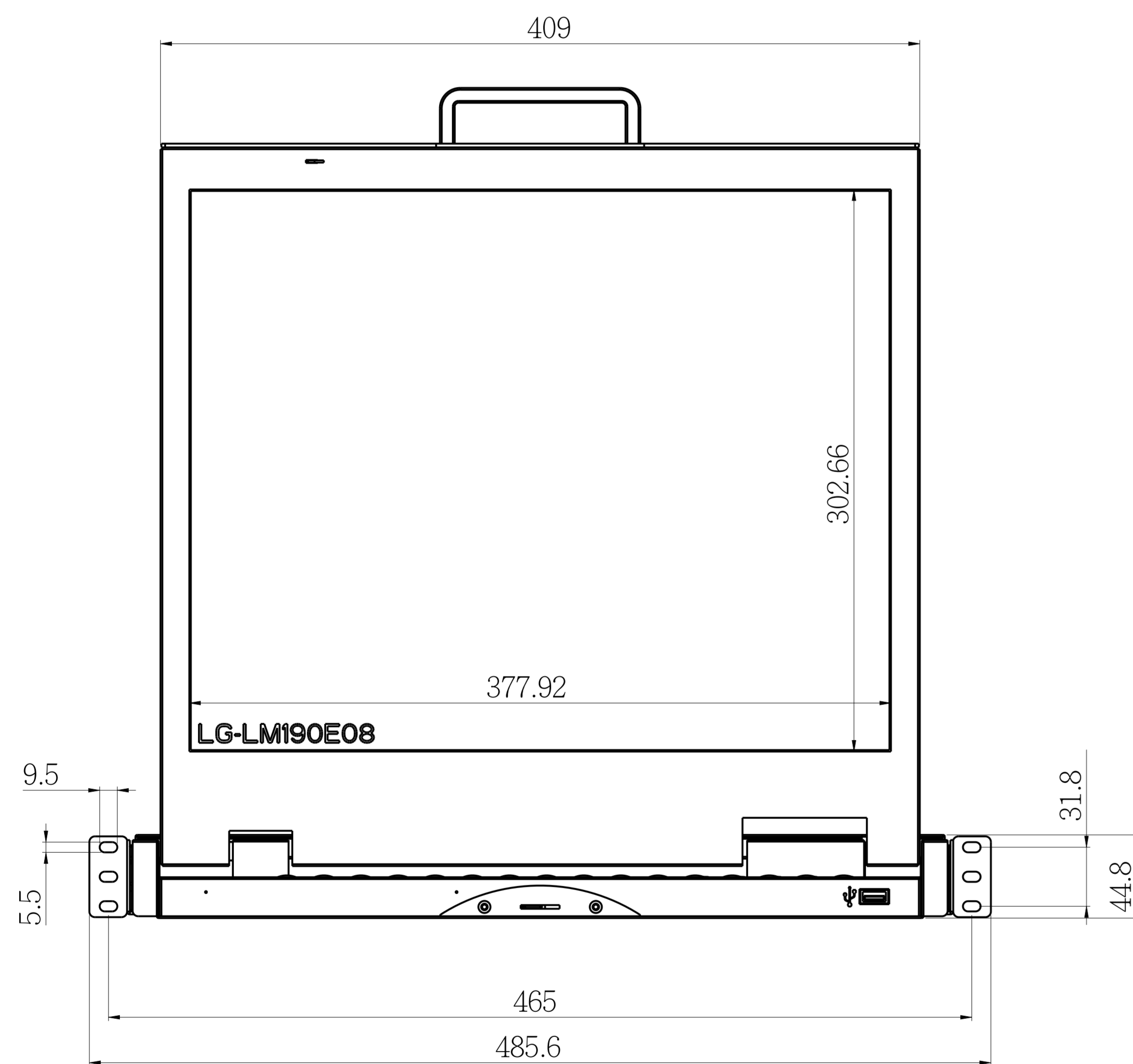
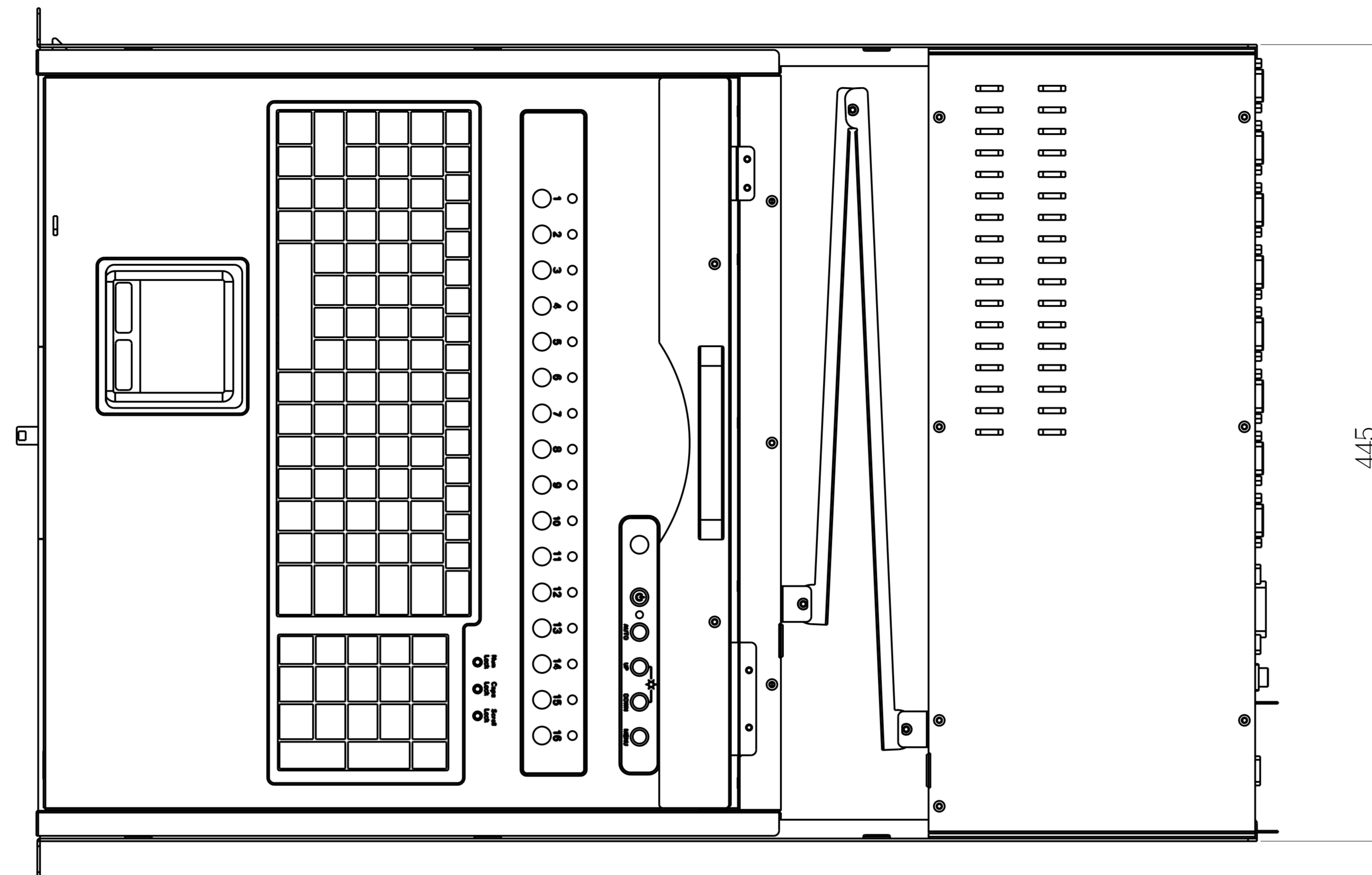
B

C

C

D

D



AD/BOARD		MODEL	KV1907		泓瑜科技有限公司 WINSONIC TECH. CO., LTD.					
INVERTER										
KEY PAD										
PANEL:		VERSION	MATERIAL	METAL	DATE	2012-Feb-08	PART NAME	ASSEMBLY	 SCALE 0.500	
		V1					APPROVED	DRAWN	Jack	UNIT MM

1

2

3

4

5