

1

2

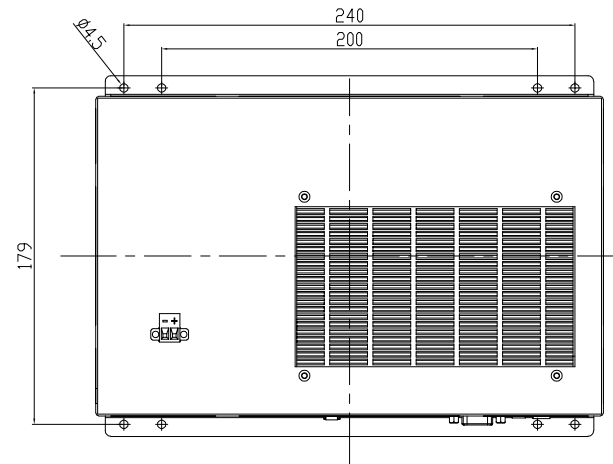
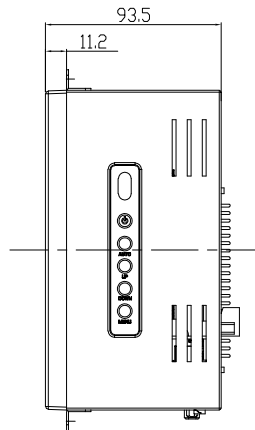
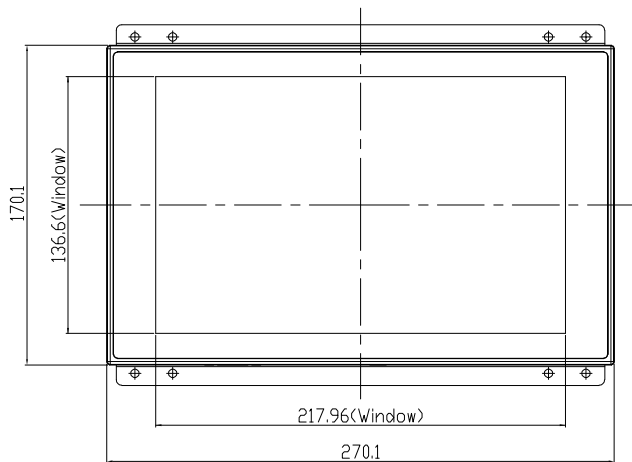
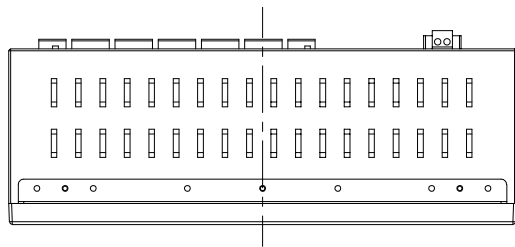
3

4

5

A

A

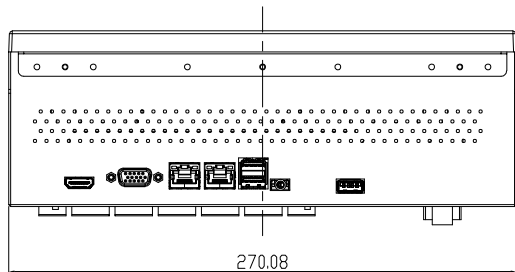


B

B

C

C



D

AD/BOARD	
INVERTER	
KEY PAD	
PANEL:	

MODEL	IZPCM101AF1		
PART NO.			
MATERIAL	METAL	DATE	2018-10-19

Winsonic Electronics, Co., Ltd.	
PART NAME	ASSEMBLY
APPROVED	DRAWN Neil
SCALE	1
UNIT	MM

1

2

3

4

5