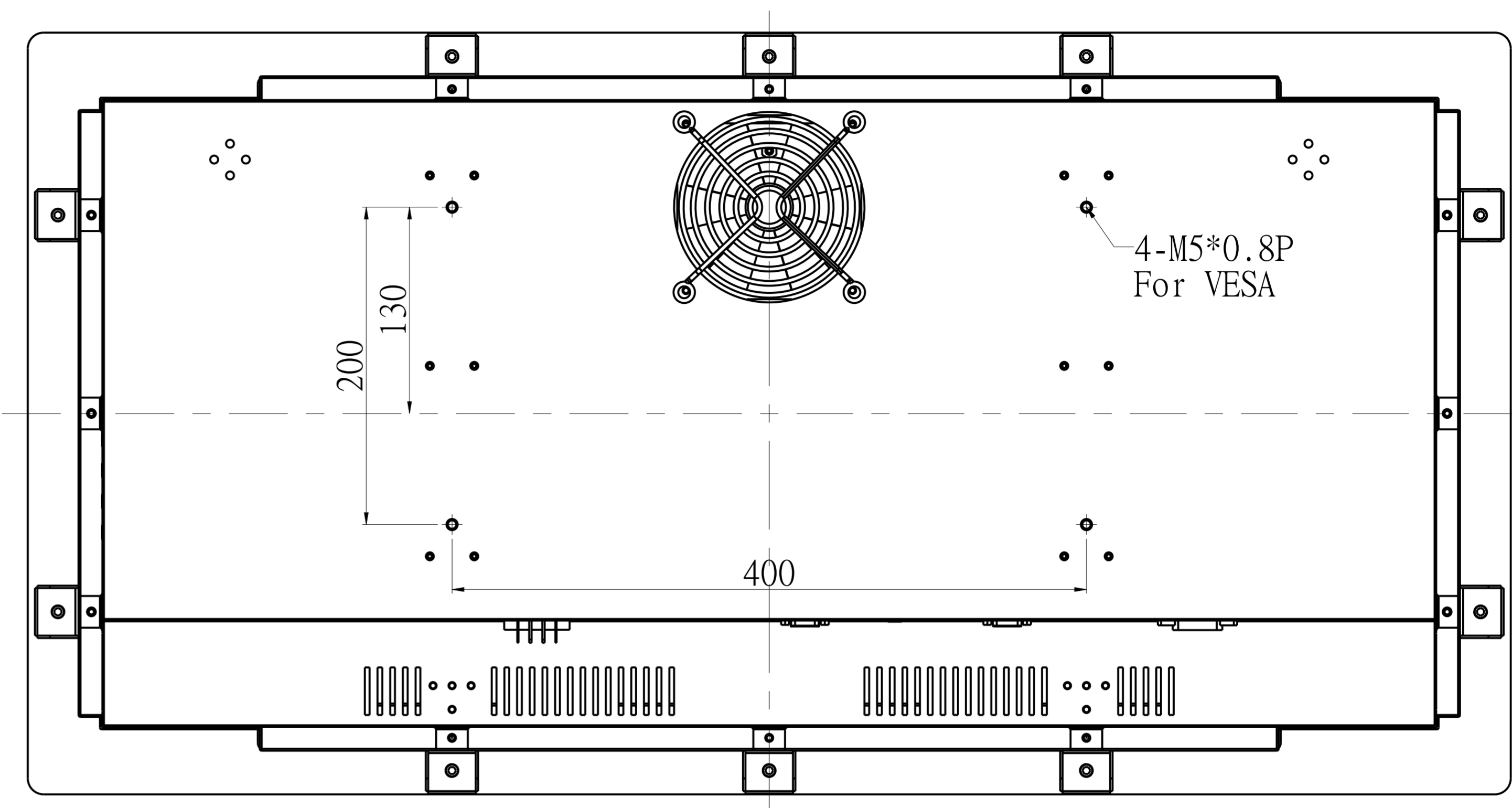
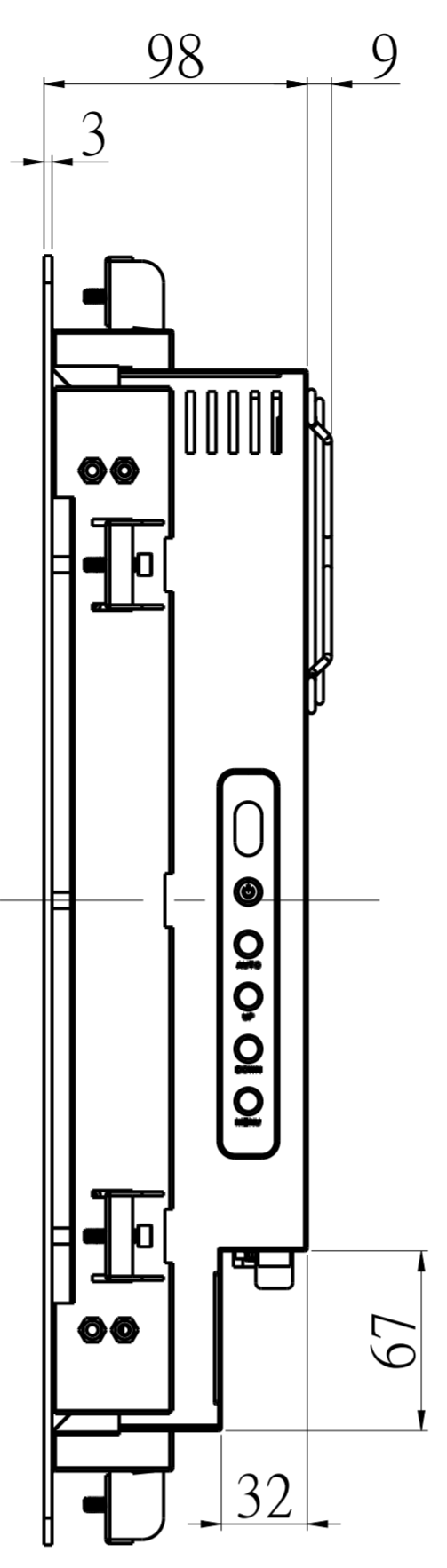
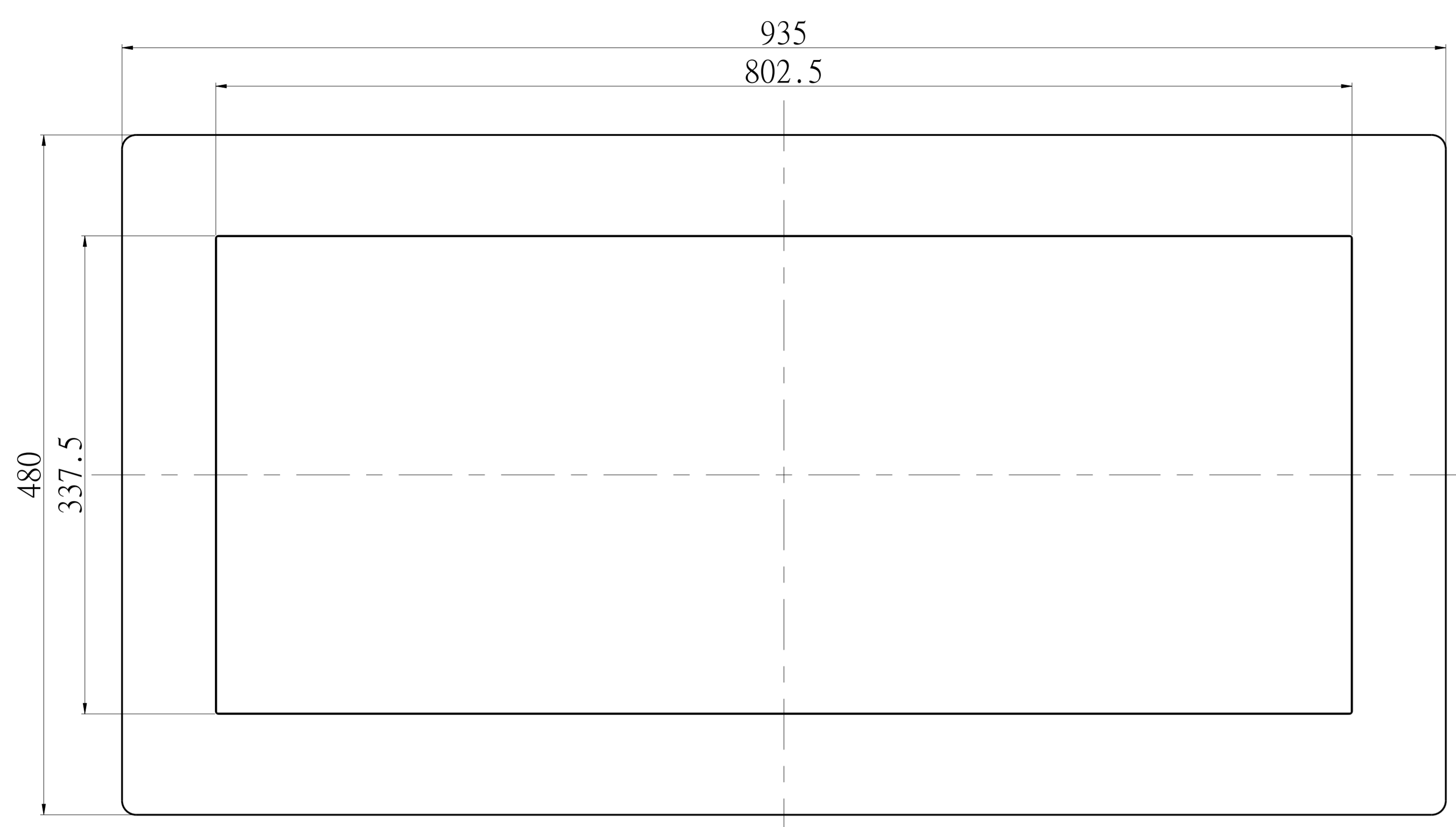


1 2 3 4 5

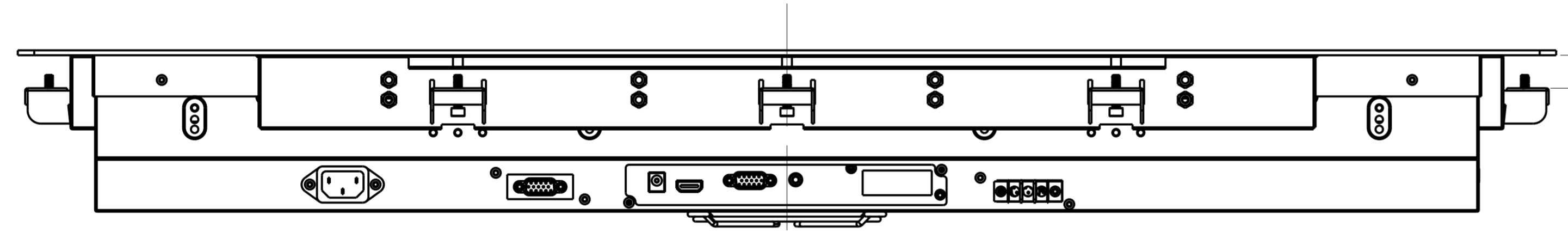
A

A



B

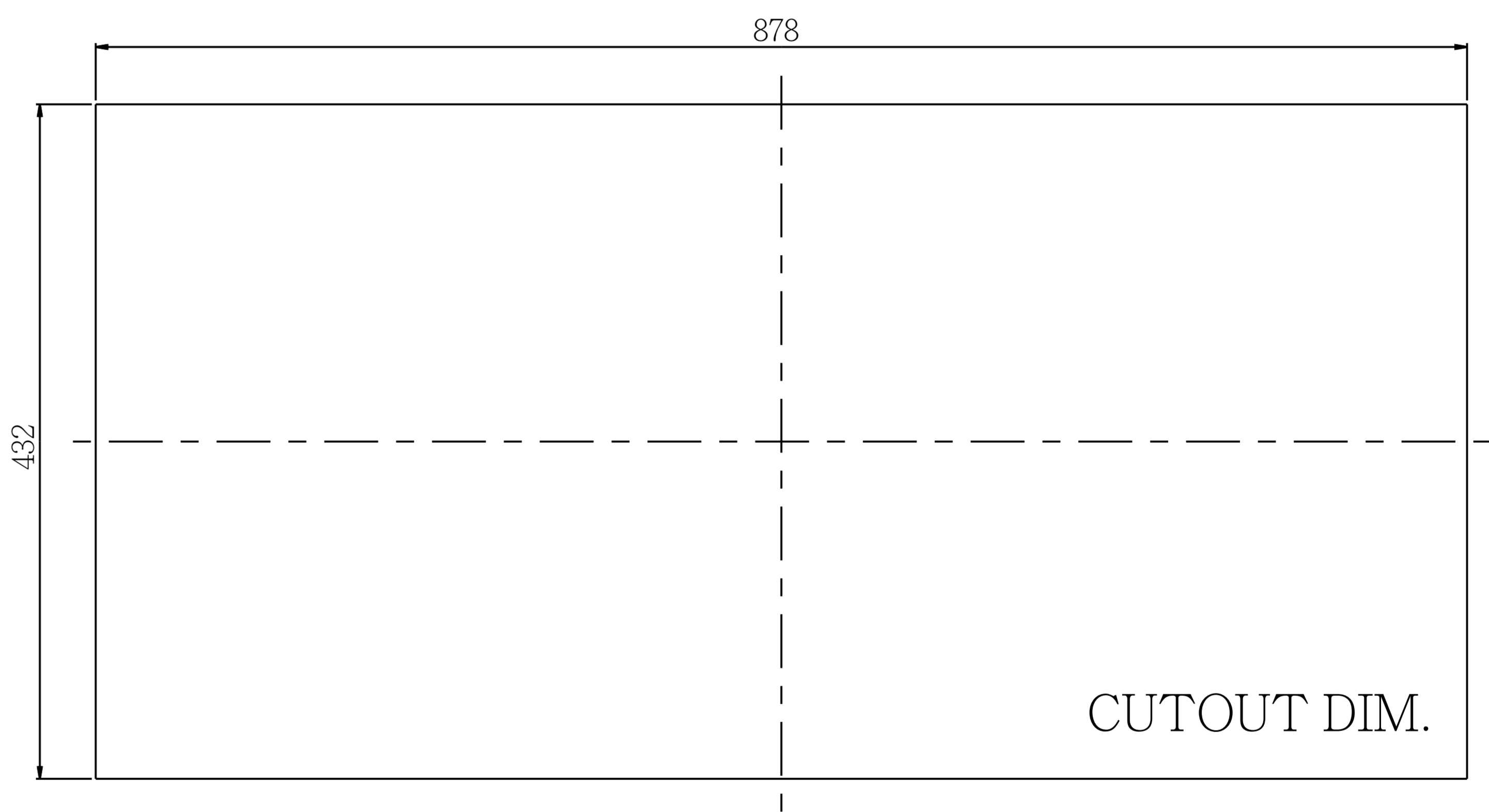
B



Wall Max Depth is 20mm.

C

C



CUTOUT DIM.

D

D

AD/BOARD		MODEL	IPM3405V3 / PM3405V3 ISPM3405V3 / SPM3405V3			Winsonic Electronics. Co., Ltd.				
INVERTER										
KEY PAD										
PANEL:	VERSION	MATERIAL	METAL	DATE	2017-Jun-03	PART NAME	ASSEMBLY			
	V1					APPROVED	DRAWN	Chris	SCALE	0.400
								UNIT	MM	

1 2 3 4 5