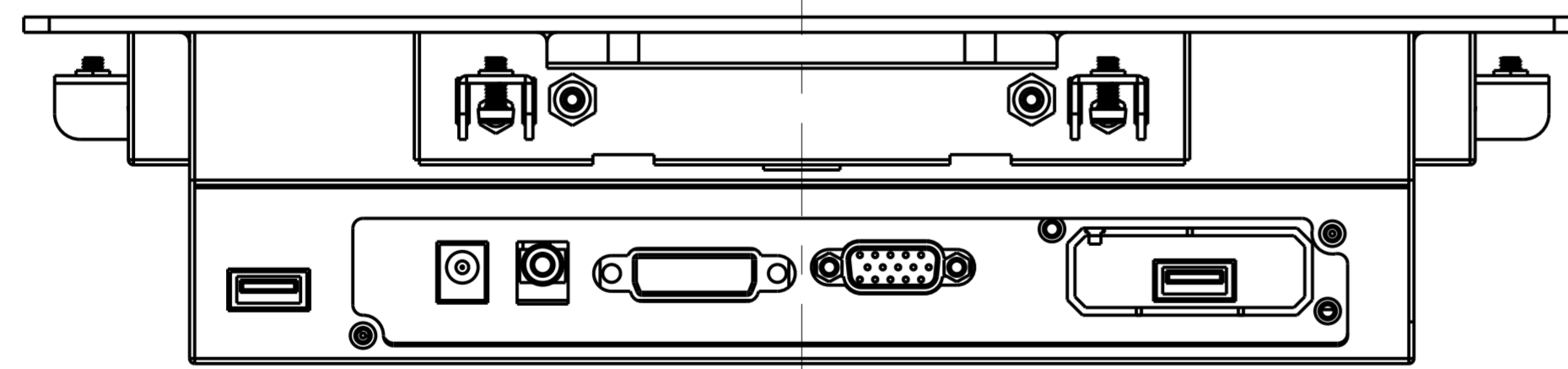
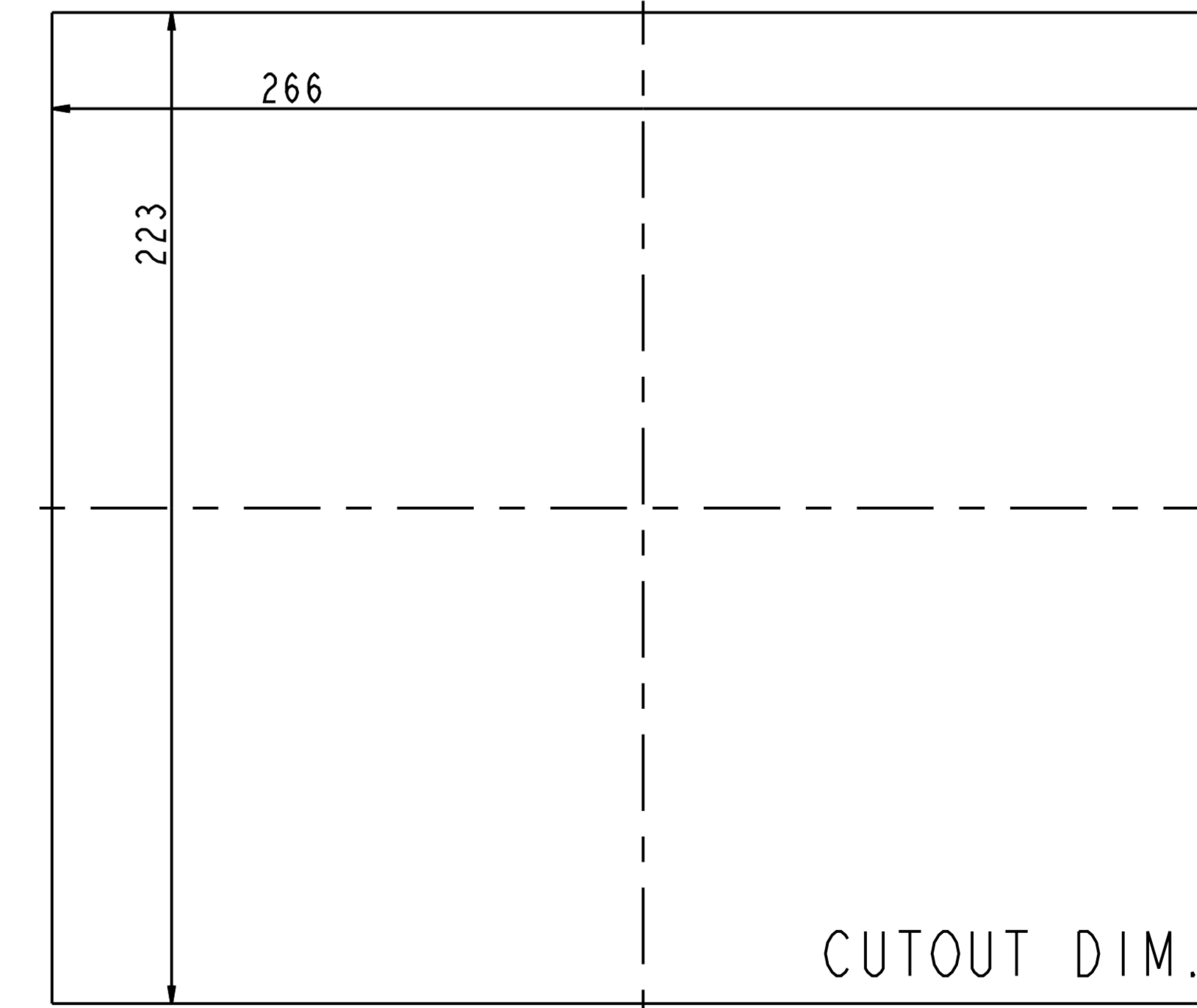
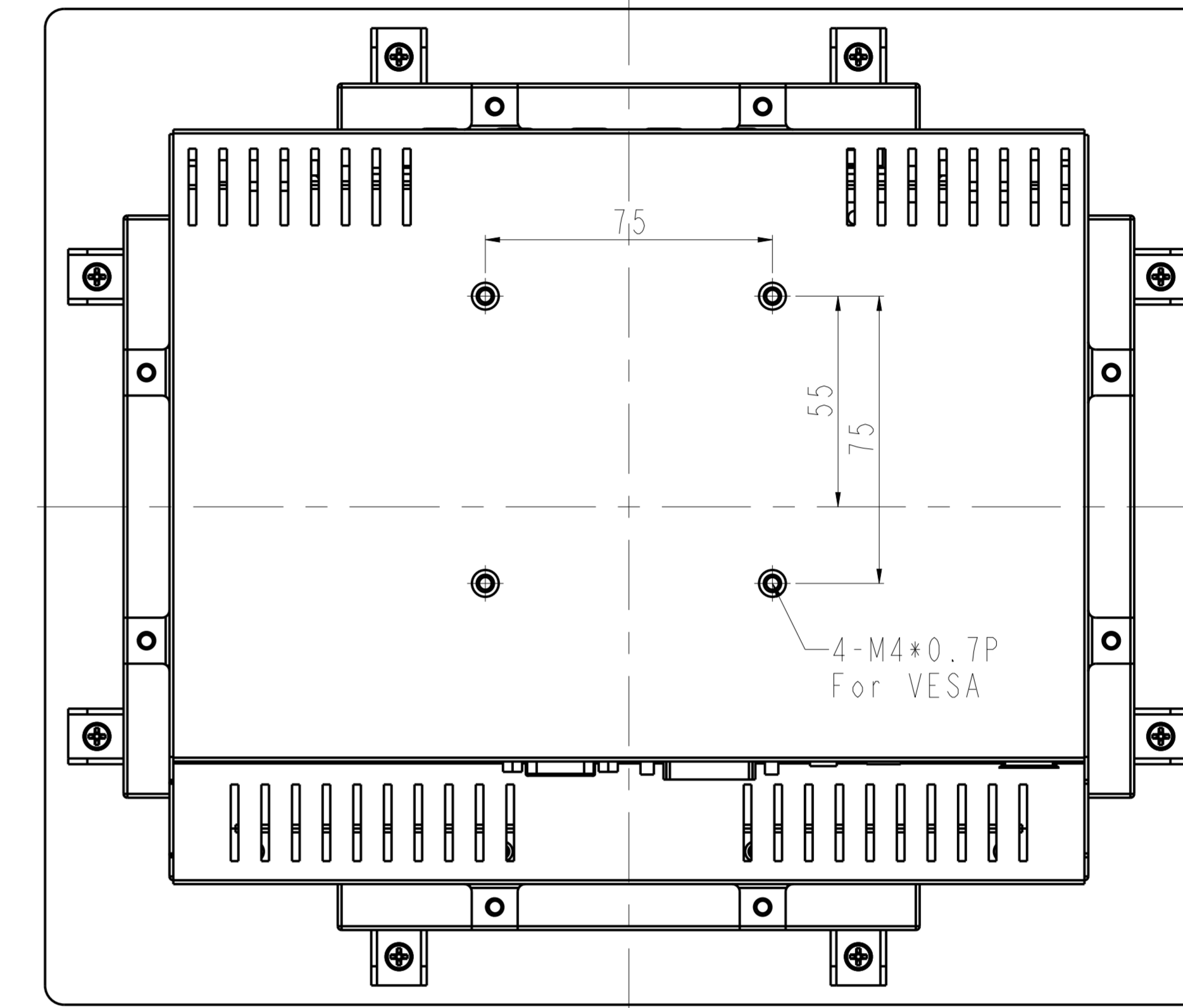


Wall Max Depth is 12mm.



| | | | | | | | | | | |
|----------|---------|----------|----------|------|-------------|---------------------------------|----------|-------|------|-------|
| AD/BOARD | | MODEL | ISPM0975 | | | Winsonic Electronics. Co., Ltd. | | | | |
| INVERTER | | | | | | | | | | |
| KEY PAD | | | | | | | | | | |
| PANEL : | VERSION | MATERIAL | METAL | DATE | 2013-Sep-23 | PART NAME | ASSEMBLY | | | |
| | V1 | | | | | | | | | SCALE |
| | | | | | | APPROVED | DRAWN | Chris | UNIT | MM |