

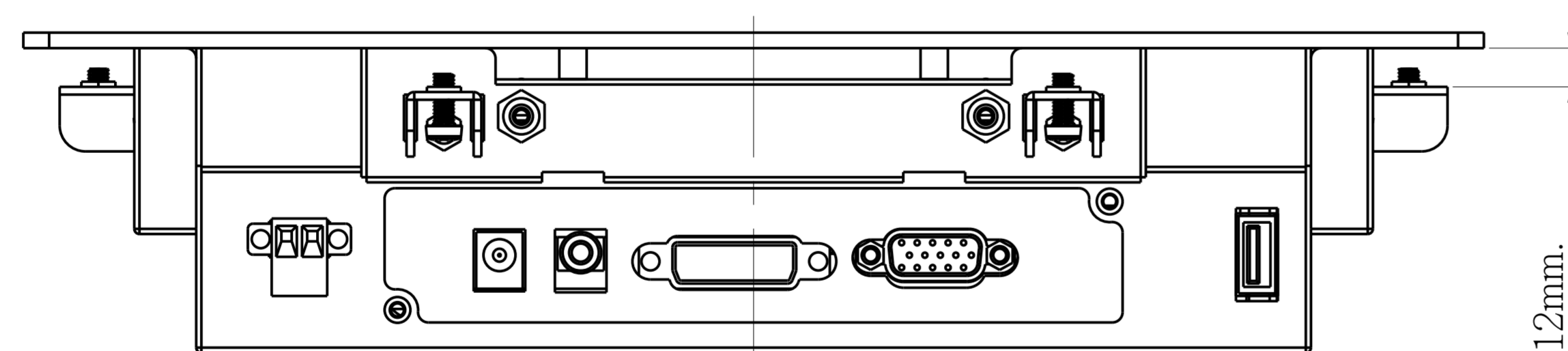
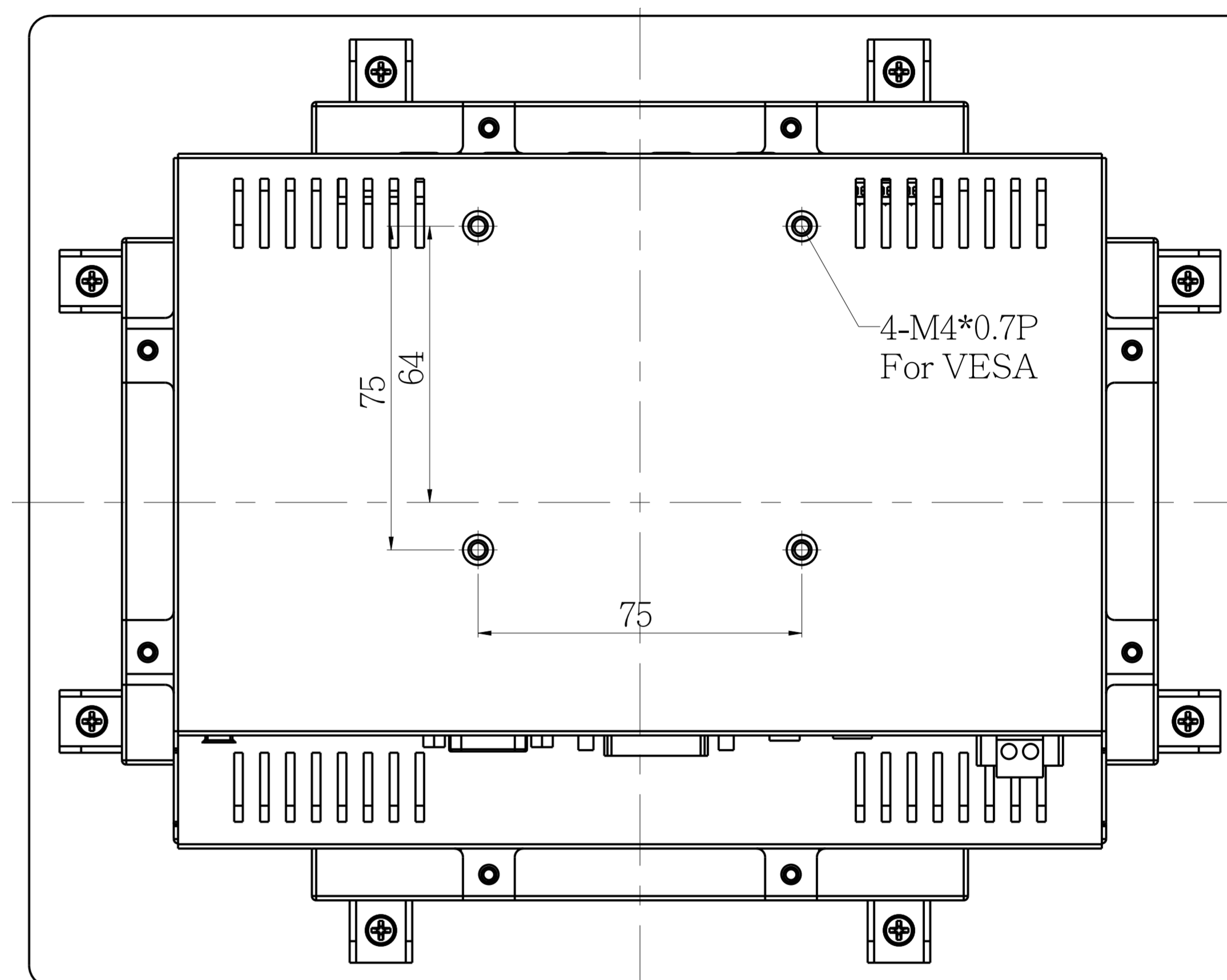
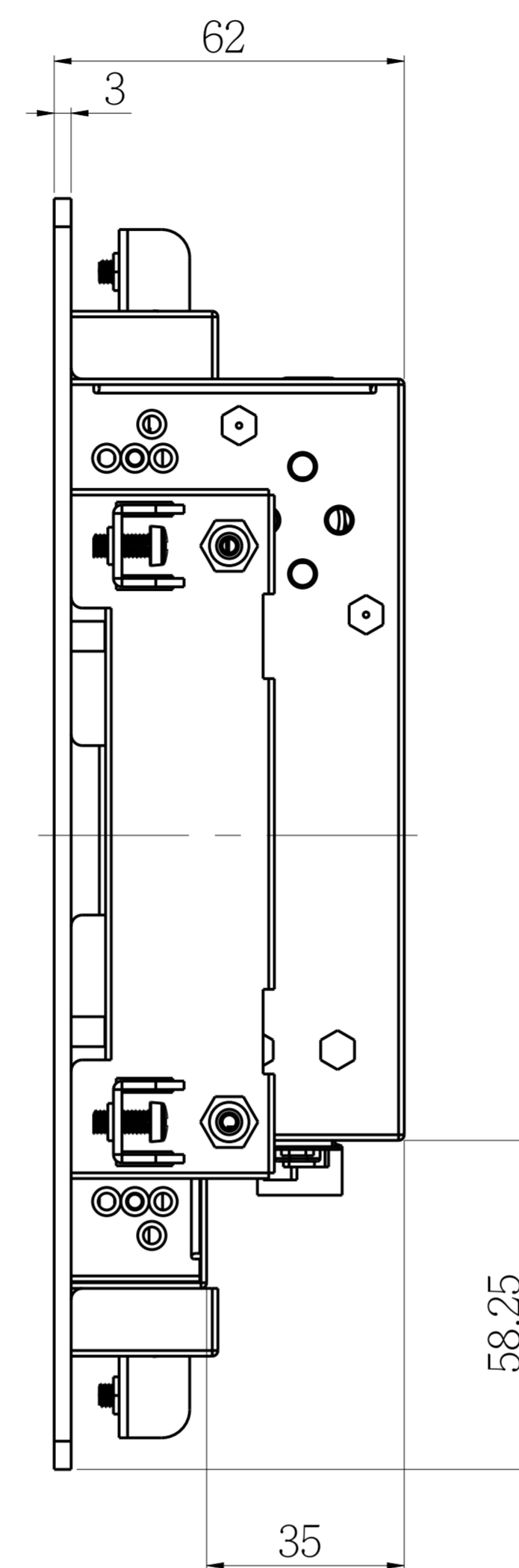
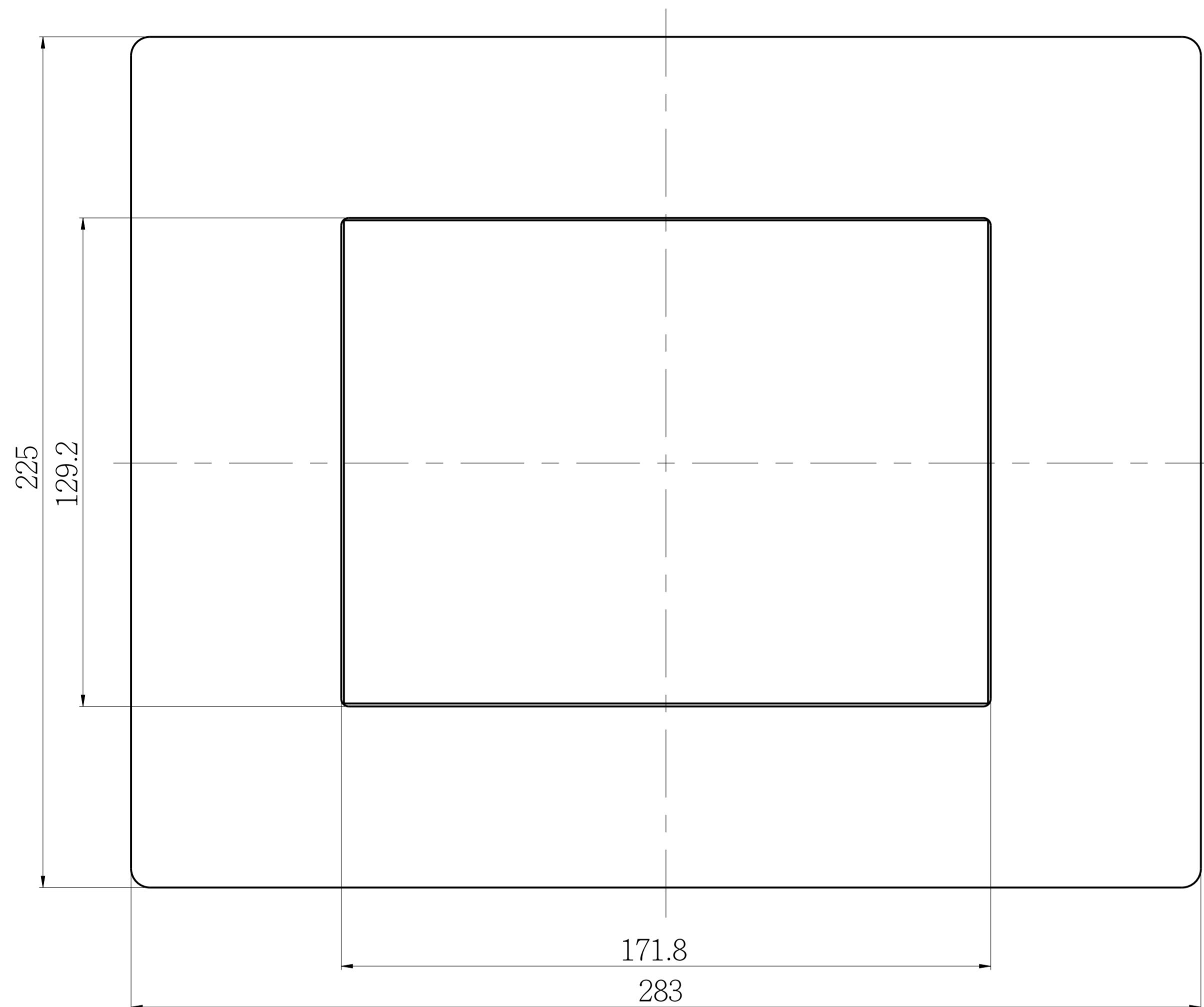
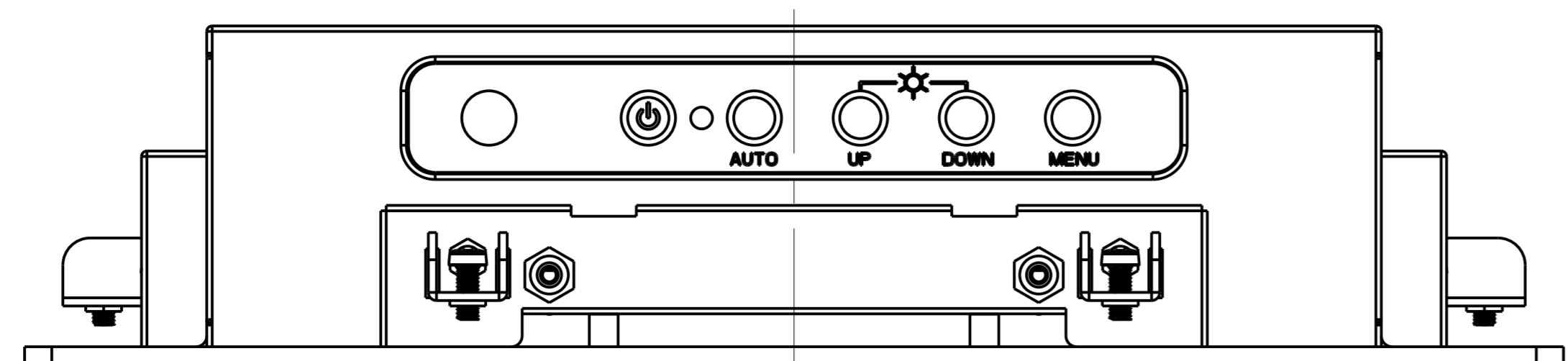
1

2

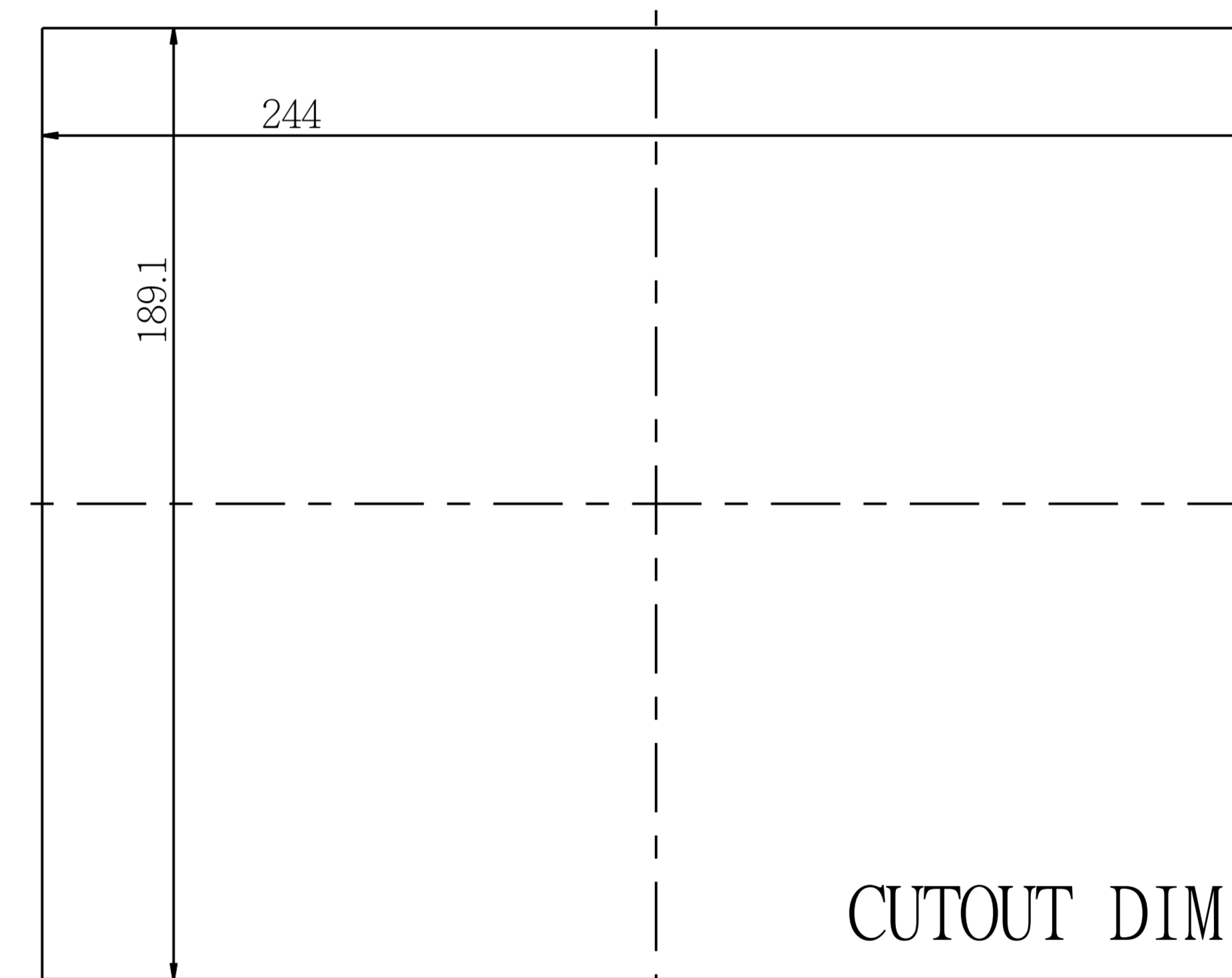
3

4

5



Wall Max Depth is 12mm.



A

A

B

B

C

C

D

D

AD/BOARD		MODEL	ISPM0846 / SPM0846			泓瑜科技有限公司 WINSONIC TECH. CO., LTD.					
INVERTER											
KEY PAD											
PANEL:	VERSION	MATERIAL	METAL	DATE	2012-Jul-03	PART NAME	ASSEMBLY				
	V1									SCALE	1.000
						APPROVED	DRAWN	Chris	UNIT	MM	

1

2

3

4

5