

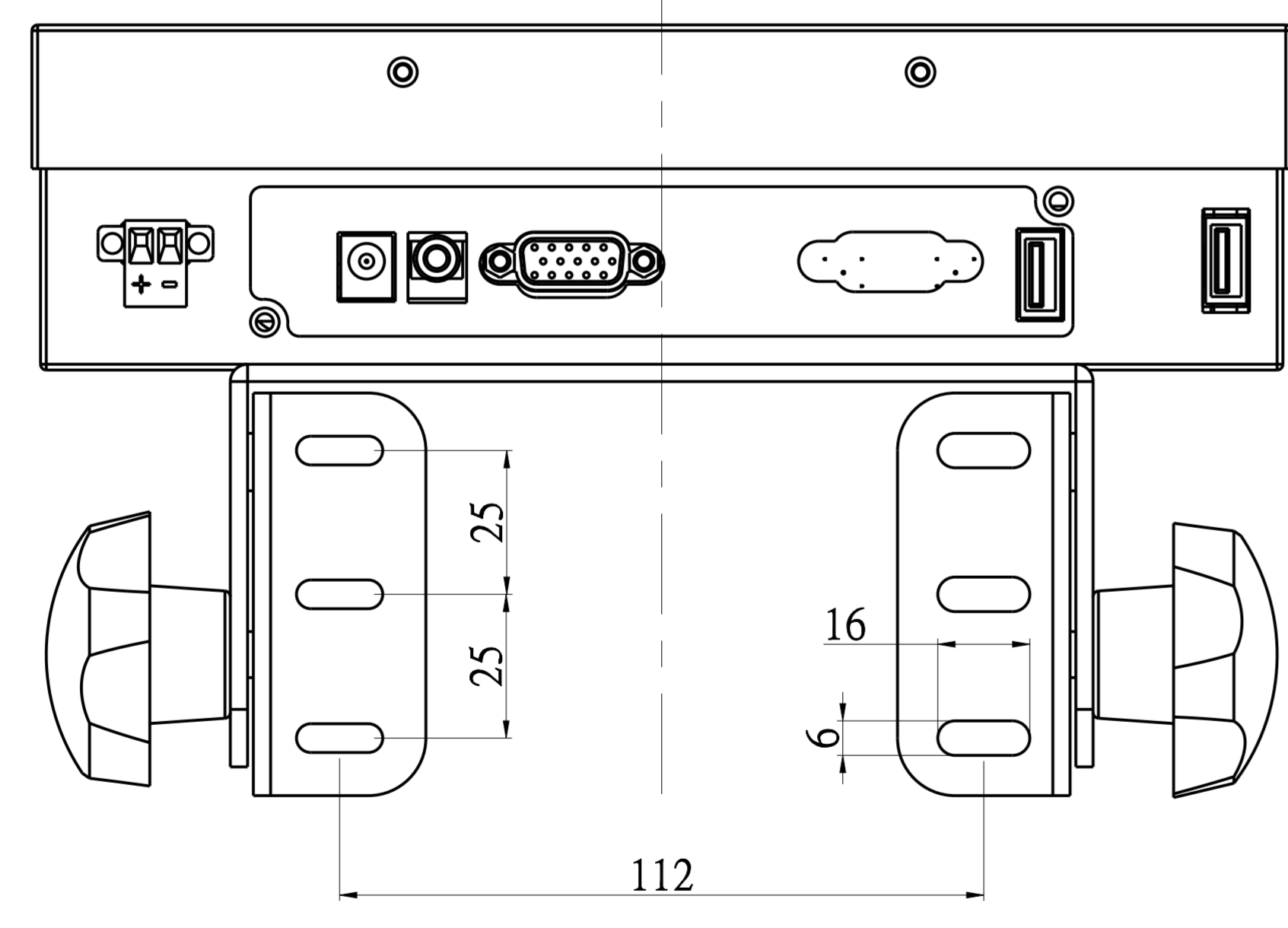
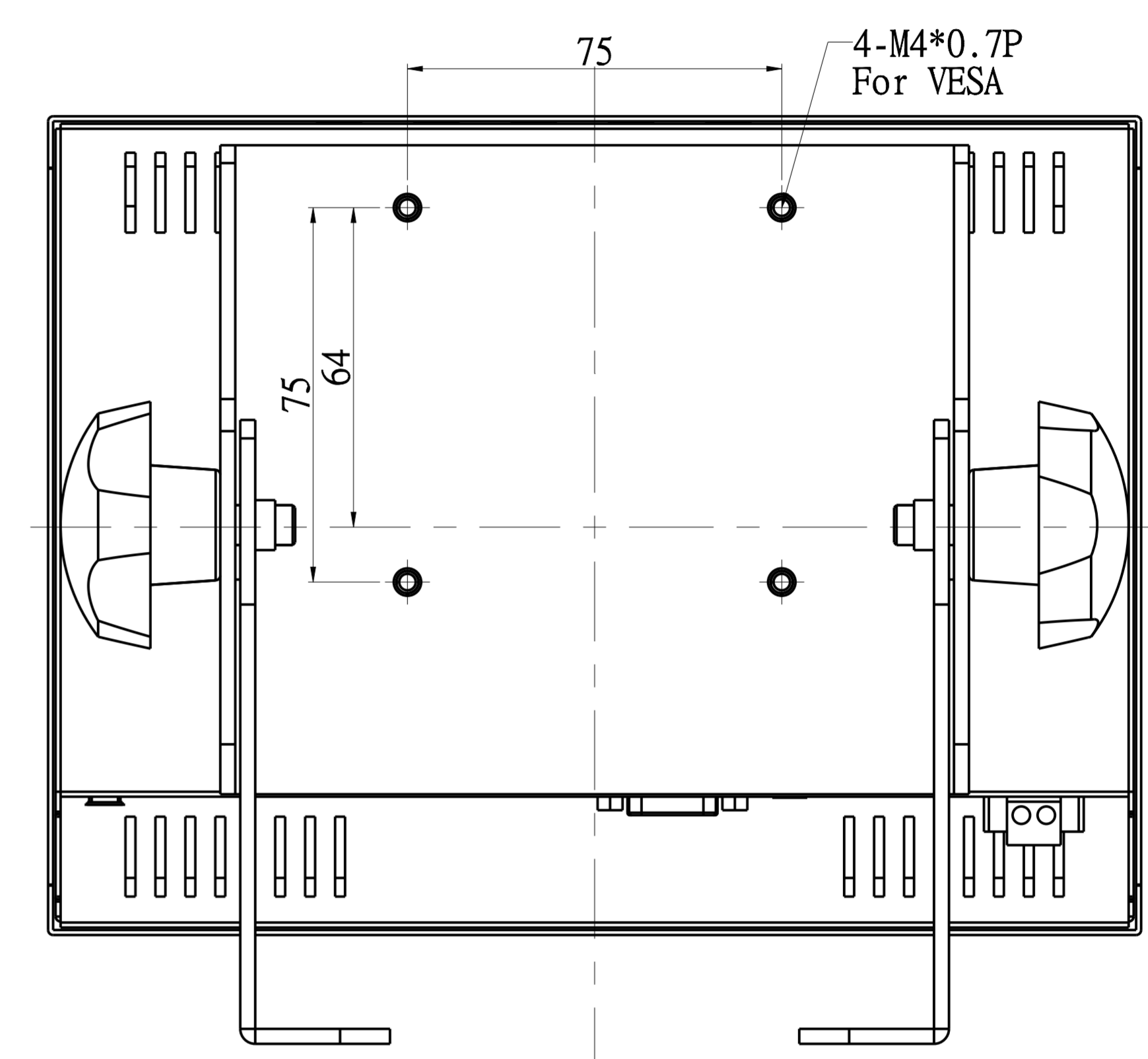
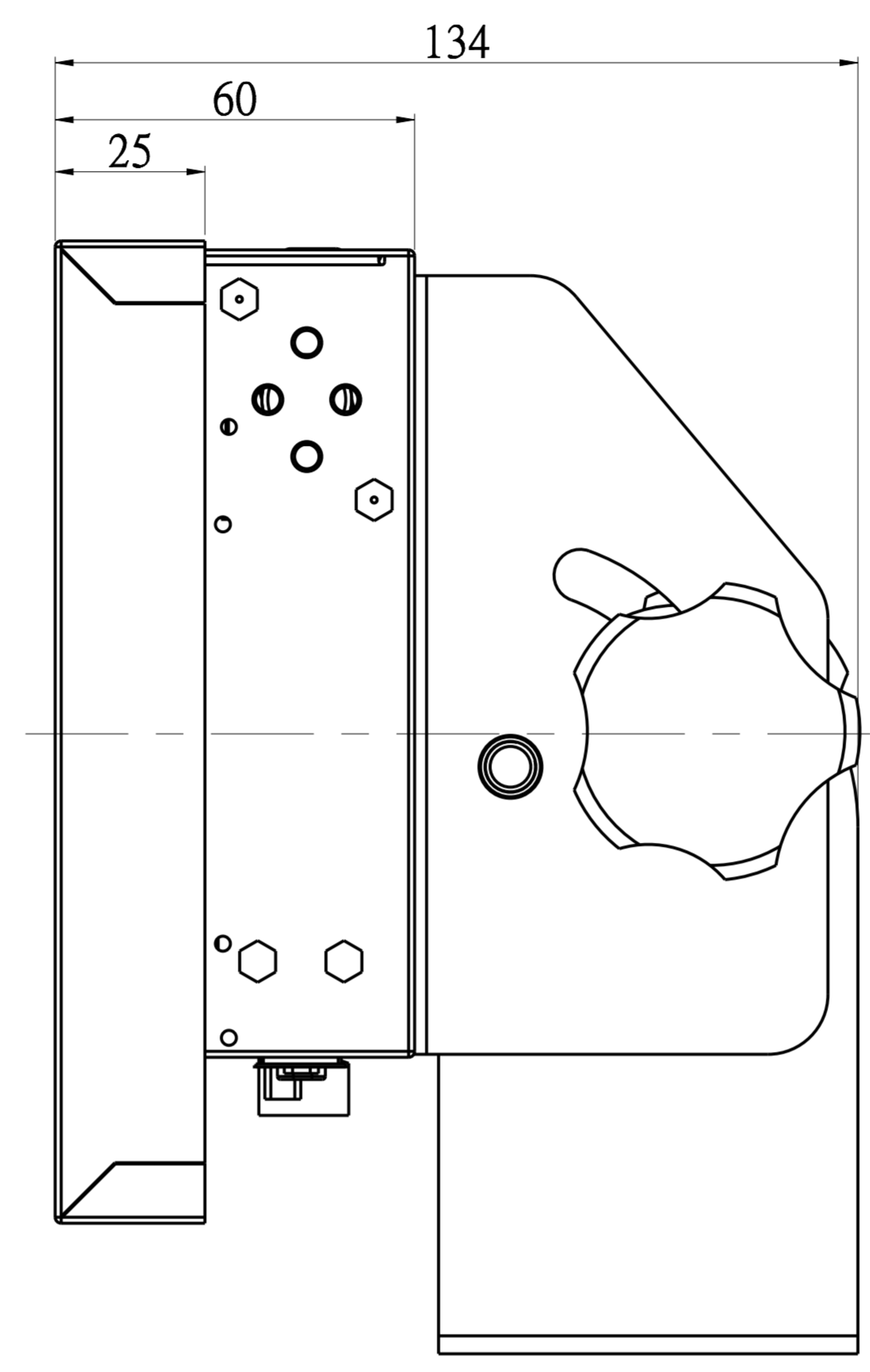
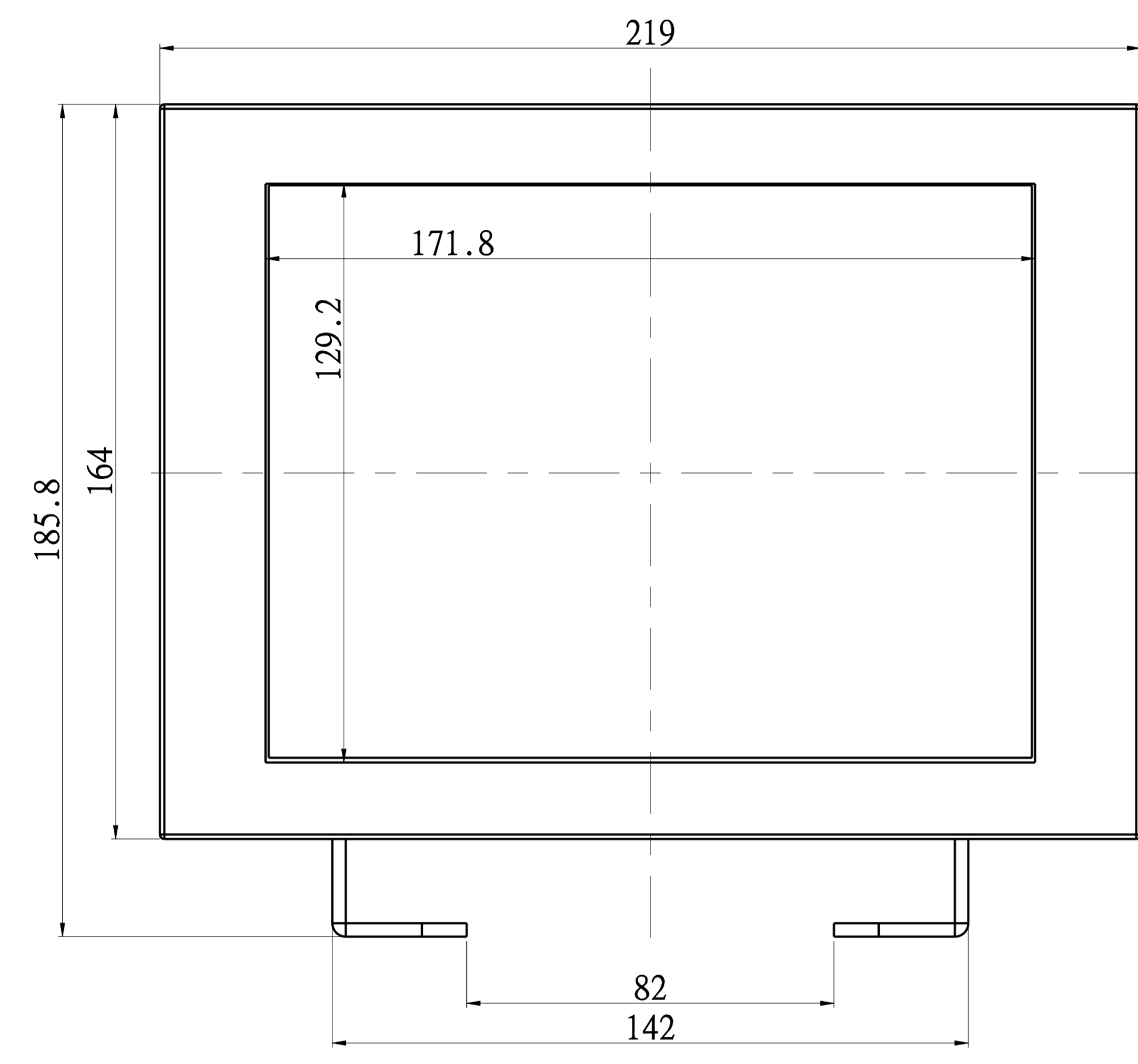
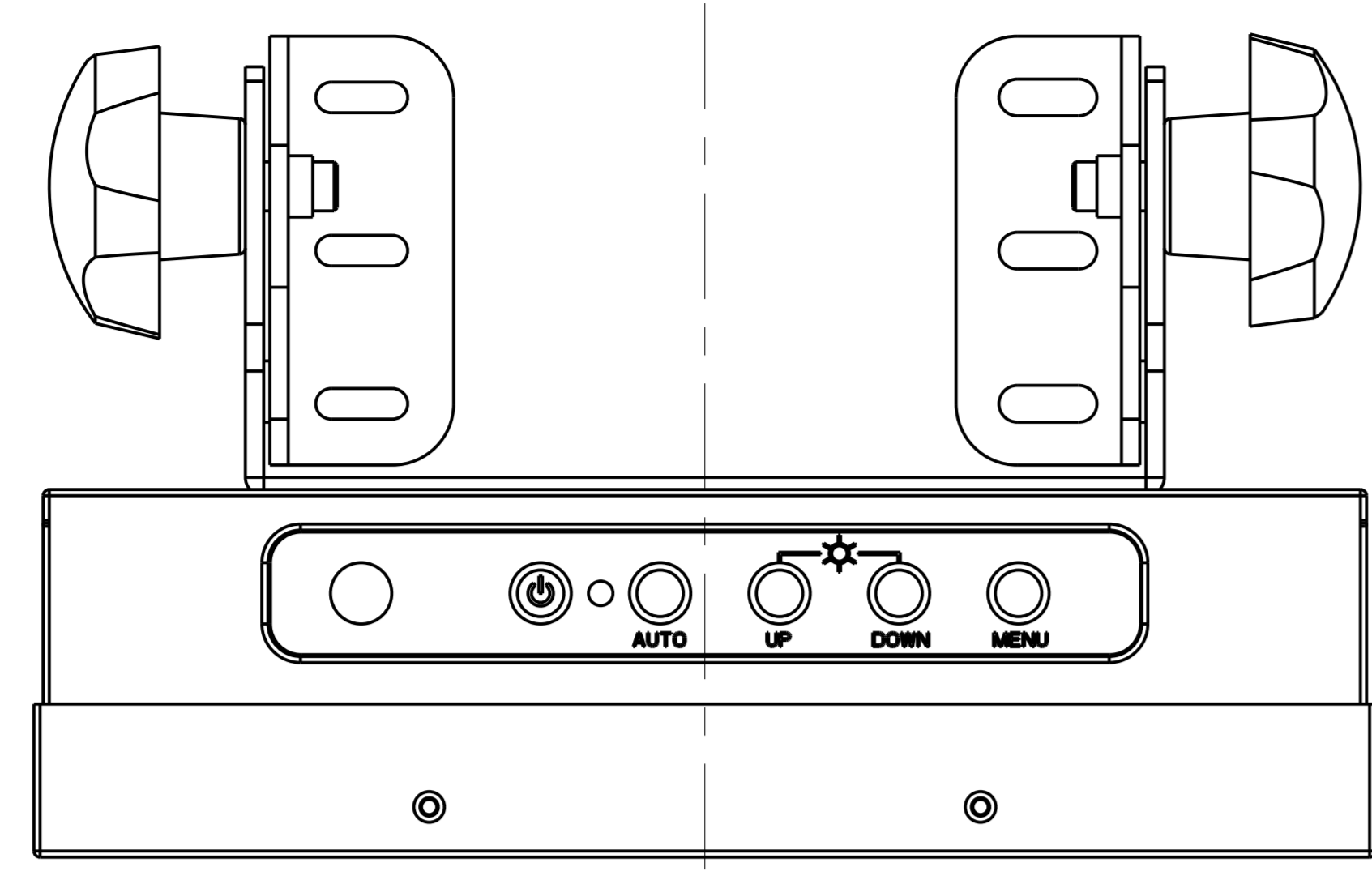
1 2 3 4 5

A

B

C

D



AD/BOARD		MODEL	VH-CH0846			Winsonic Electronics. Co., Ltd.				
INVERTER										
KEY PAD										
PANEL :	VERSION	MATERIAL	METAL	DATE	2016-Jan-11	PART NAME	ASSEMBLY			
	V1					APPROVED	DRAWN	Chris	SCALE	1.000
									UNIT	MM

1 2 3 4 5