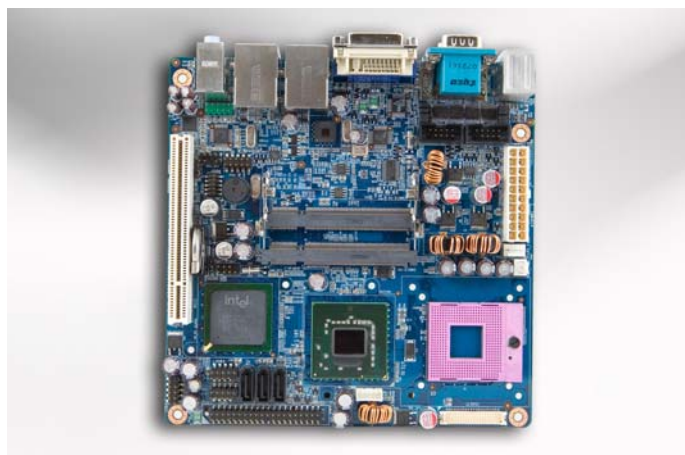


MB-I80XXX-2EI631

Specification

Intel® Core 2 Duo Series CPU,
Mini-ITX Mainboard



Features

- Support Intel® socket P mobile CPU, Core™ 2 Duo / Core™ 2 Solo with 65nm process technology
- Intel® 965GME + ICH8-M Chipset
- Intel® Graphic Media Accelerator X 3100
- 2 x 200 pin SO-DIMM up to 4GB DDR2 533/667 SDRAM
- 1 x VGA, 1 x DVI, 1 x CF, 1 x PCI
- 4 x COM, 10 x USB 2.0, 3 x SATA, 1 x EIDE, 2 x GbE_LAN

System

CPU	Supports Intel® socket P Core™ 2 Duo / Core™ Duo / Core™ 2 Solo /Core™ Solo mobile CPU with 65nm process technology
FSB	533/800 MHz
BIOS	AMI 16 MB SPI BIOS
System Chipset	Intel® GME965 / ICH8M
I/O Chip	Winbond W83627DHG-A
System Memory	Two 200-pin SODIMM sockets support up to 4 GB Dual Channel DDR2 533/667 SDRAM
SSD	One CompactFlash Type I/II socket
Watchdog Timer	Reset: 1 sec.~255 min. and 1 sec. or 1 min./step
H/W Status Monitor	Monitoring CPU temperature, voltage, and cooling fan status. Auto throttling control when CPU overheats
Expansion	One PCI slot (PCI Rev. 2.2 compliant) supports 3 PCI master module (TPM)
TPM	Infineon SLB 9635 TCG 1.2 compliant trusted platform module (TPM)
S3	S3 Support
SmartFan Control	Yes
DIO	8-bit General Purpost I/O for DI and DO

I/O

Rear I/O	1 x PS/2 Keyboard
	1 x PS/2 Mouse
	2 x RS-232 (with 5V/12V output)
	1 x VGA port
	1 x DVI port
Internal Connector	4 x USB 2.0/1.1
	1 x RJ45 Port (one existed, another in option)
	Audio I/O (3 Jacks)
	3 x USB connectors support 6 USB ports
	1 x 20-pin ATX Power connector
	1 x IDE 40-pin connector for two devices
	2 x COM port header (with 5V/12V output)
	3 x SATA connectors
	1 x Front panel audio connector
	1 x Audio amplifier connector
	1 x System panel connector
	1 x LVDS connector

Display

Chipset	Intel® GME965 integrated Graphics Media Accelerator 950 X3100
Display Memory	Intel® DVMT 4.0 supports 384 MB video memory
Resolution	2048 x 1536 @ 32 bpp(@ 60Hz)
Dual Display	CRT + LVDS, or CRT + DVI-D
LVDS	Dual-channel 24-bit LVDS
DVI	Chrontel CH7307C DVI transmitter up to 165M pixels/second

Audio

Audio Code	Realtek ALC888 high-definition Audio Codec supports 5.1+2-CH two independent Audio streams
Audio Interface	Mic in, Line in, (CD Audio in), Line out
Audio Amplifier	TPA3005D2 6W (per front channel) stereo amplifier

Ethernet

LAN 1	Realtek RTL8111B PCI-E Gigabit Ethernet Controller
LAN 2(Optional)	Realtek RTL8111B PCI-E Gigabit Ethernet Controller

Winsonic®

Winsonic Electronics CO.,LTD. TEL:886-3-3704789 FAX:886-3-3704722 E-mail:sales@ewinsonic.com
No.290-1 Wun-Jhong Rd. Taoyuan City, Taoyuan Taiwan R.O.C

Online Download

www.ewinsonic.com

MB-I80XXX-2EI631

Specification

Intel® Core 2 Duo Series CPU,
Mini-ITX Mainboard

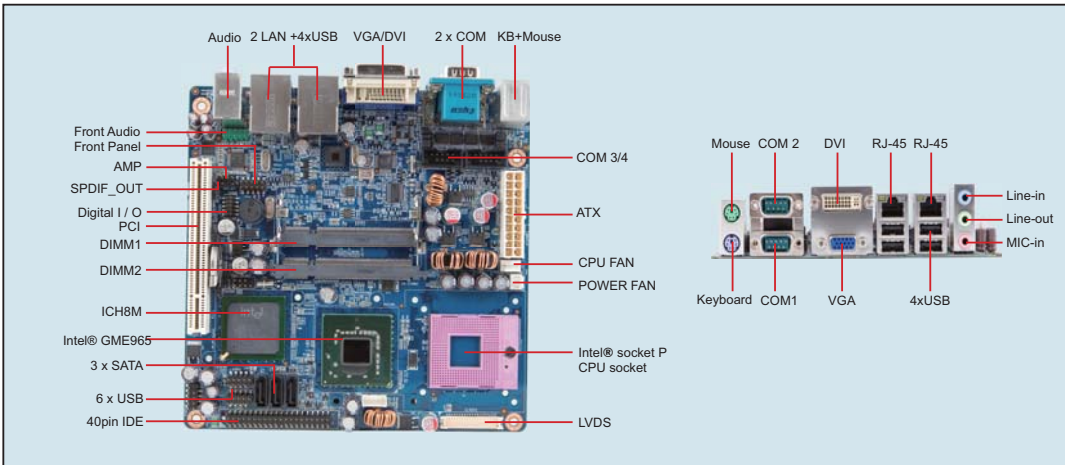
Power requirement (Power On, Core 2 Duo T7300 2.0GHz Processor, FSB 800MHz, 2GB DDR2 SDRAM)

+3.3V	+5.0V	+12V	-12V	+5Vsb
1.76A	2.75A	4.13A	0.1A	1.42A

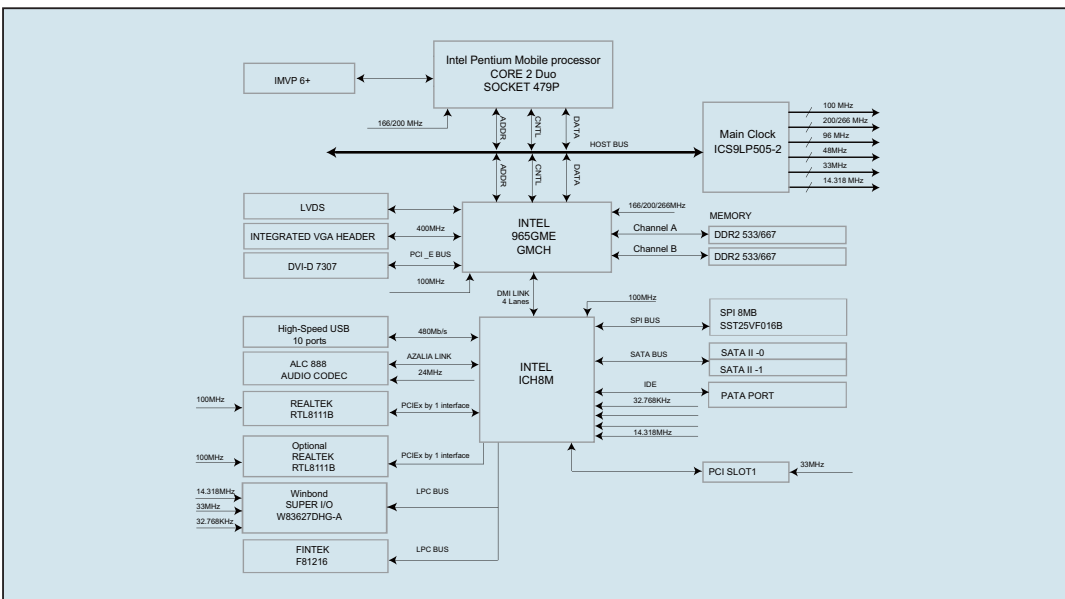
Mechanical & Enviroment

Power Connector Type	ATX
Operating Temperature	0 ~ 60°C
Operating Humidity	0% ~ 90% relative humidity, Non-condensing
Dimension	6.69" x 6.69" (170mm x 170mm)

Connectors



Block Diagram



Winsonic®

Winsonic Electronics CO.,LTD. TEL:886-3-3704789 FAX:886-3-3704722 E-mail:sales@ewinsonic.com
No.290-1 Wun-Jhong Rd. Taoyuan City, Taoyuan Taiwan R.O.C

Online Download

www.ewinsonic.com