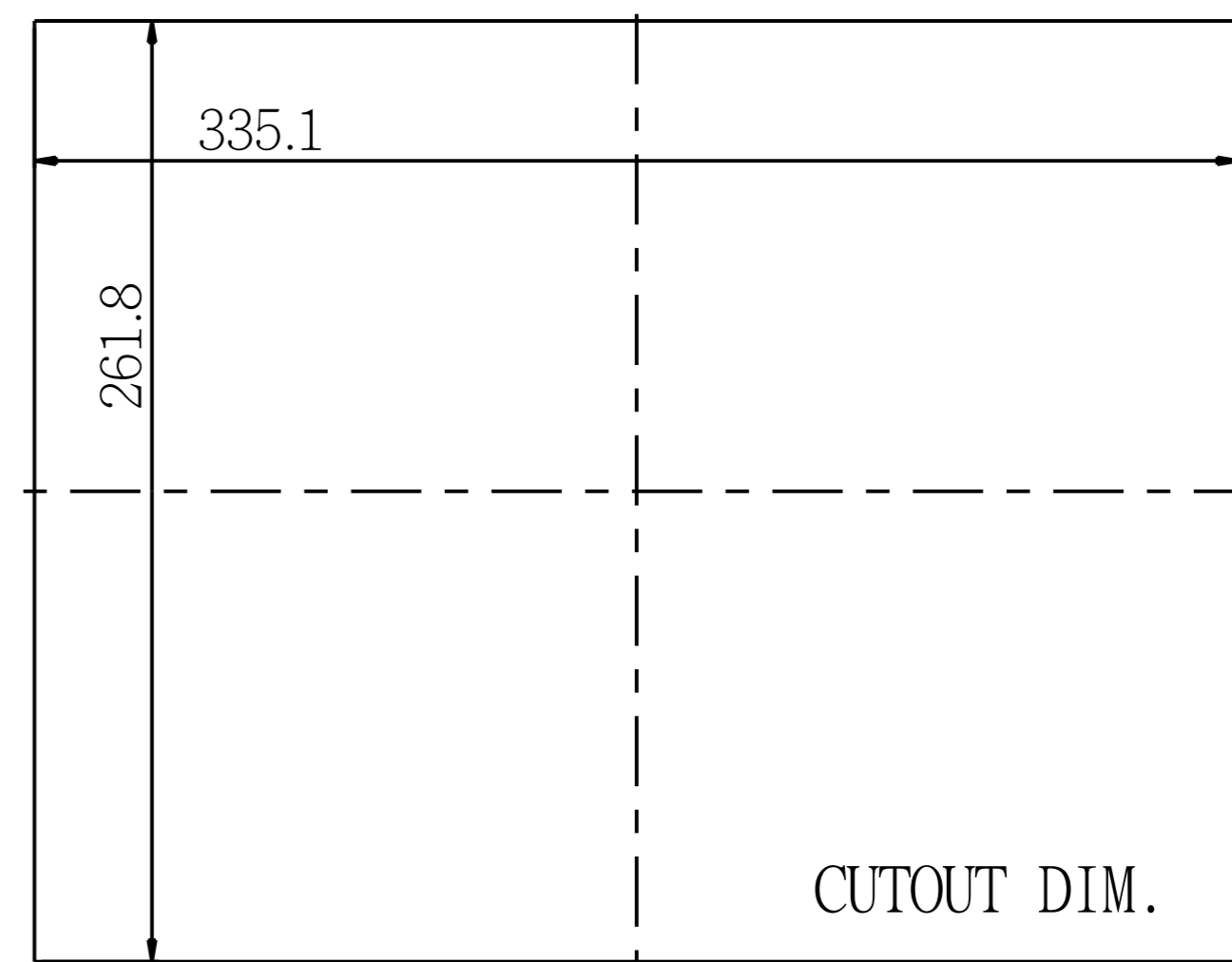
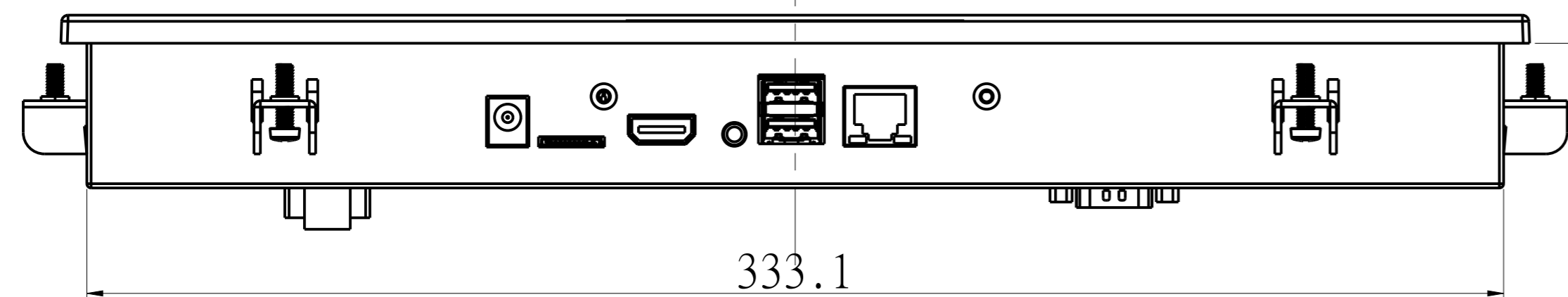


Wall Max Depth is 12mm.



| | | | | | | | | | | |
|----------|---------|----------|----------|------|-------------|---------------------------------|----------|-------|-------|-------|
| AD/BOARD | | MODEL | ZPPM150A | | | Winsonic Electronics. Co., Ltd. | | | | |
| INVERTER | | | | | | | | | | |
| KEY PAD | | | | | | | | | | |
| PANEL: | VERSION | MATERIAL | METAL | DATE | 2017-Nov-22 | PART NAME | ASSEMBLY | | | |
| | V1 | | | | | APPROVED | DRAWN | Chris | SCALE | 0.800 |
| | | | | | | | | | UNIT | MM |