

A

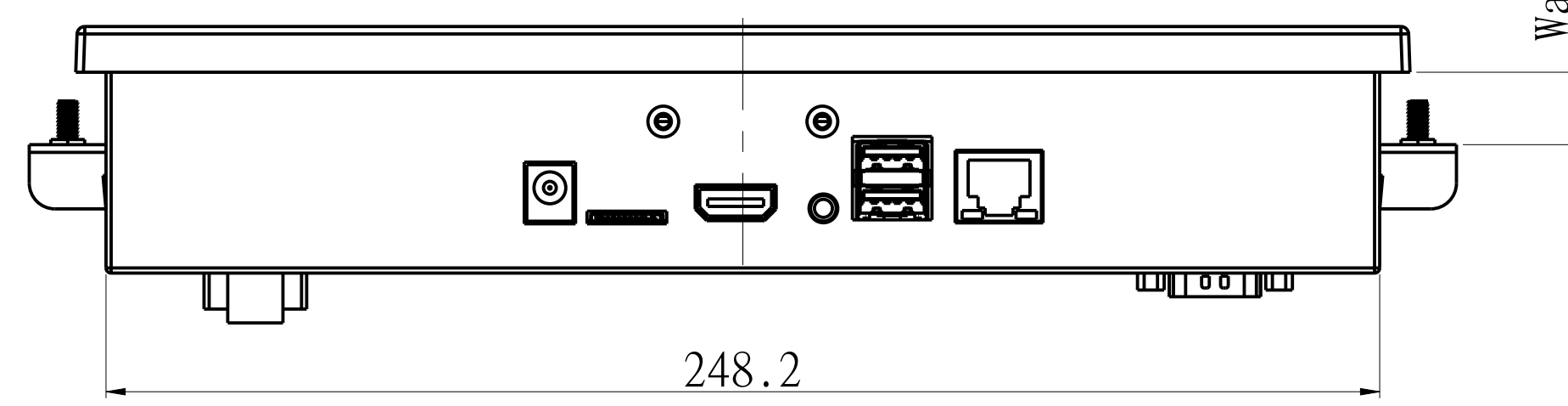
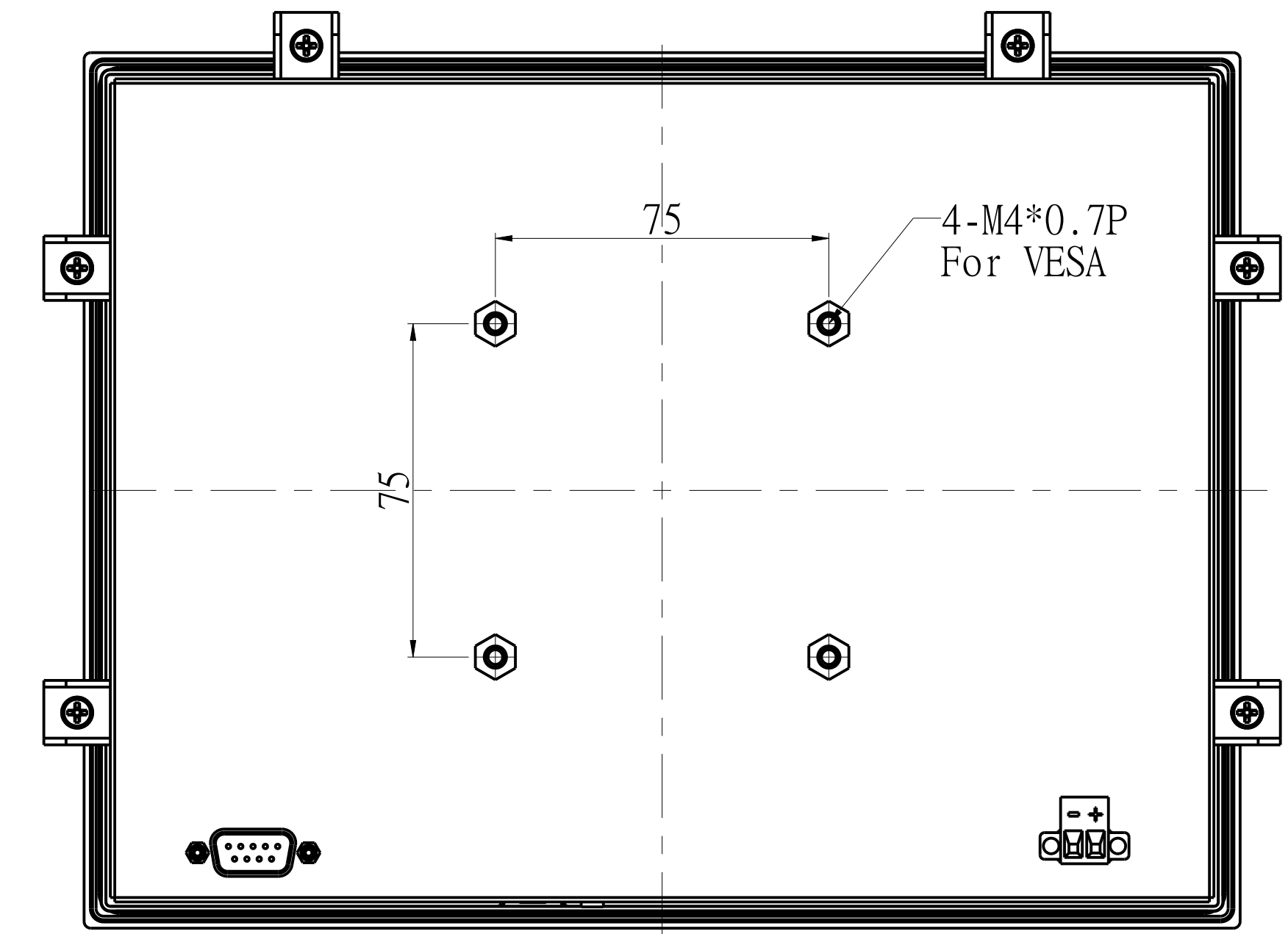
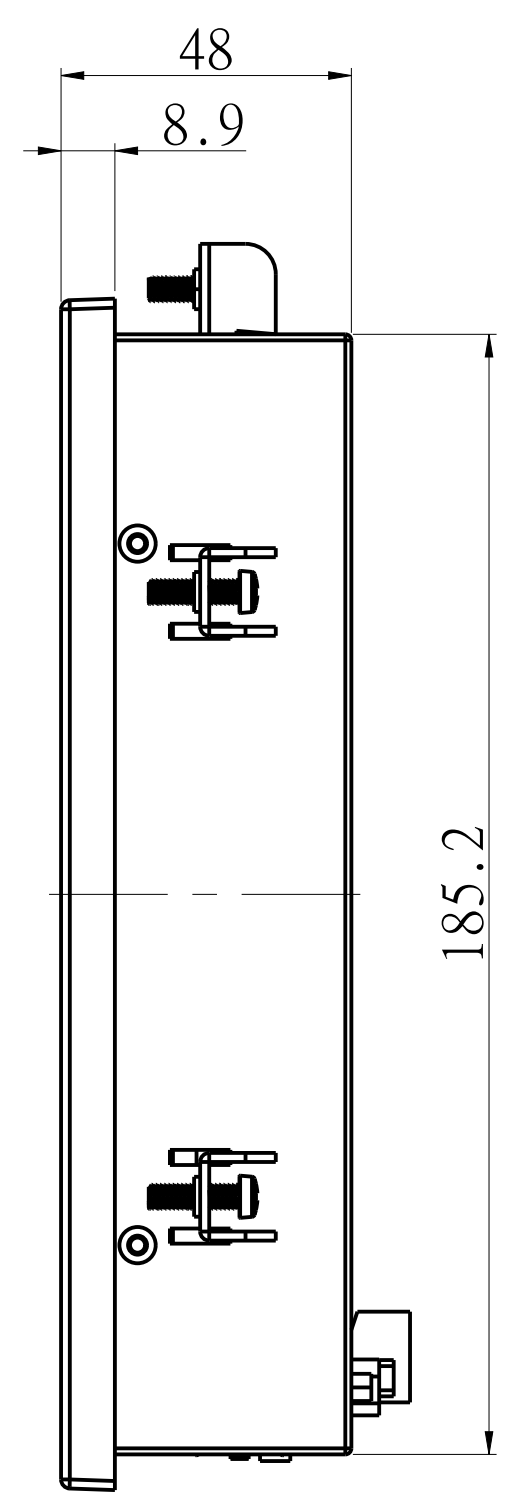
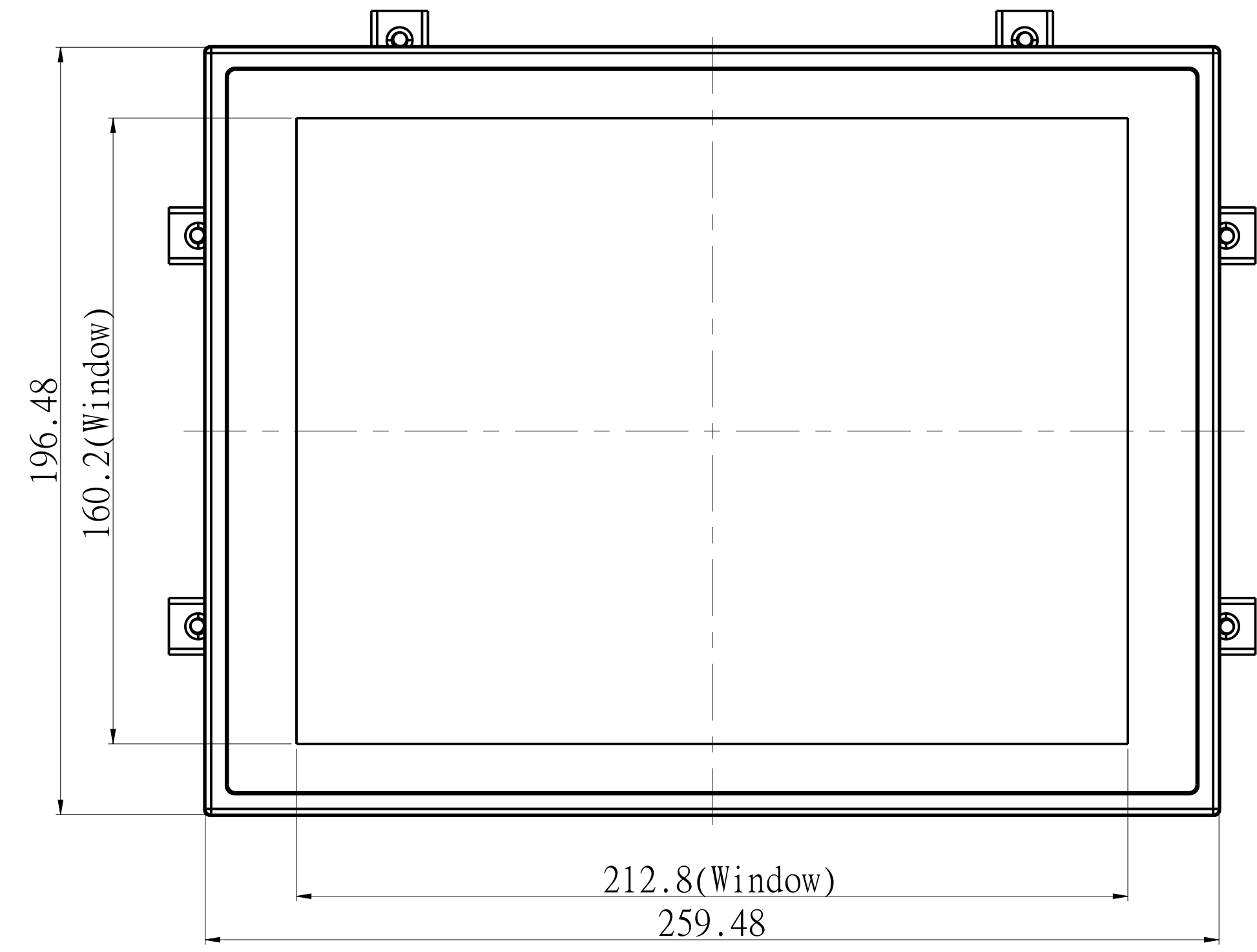
B

C

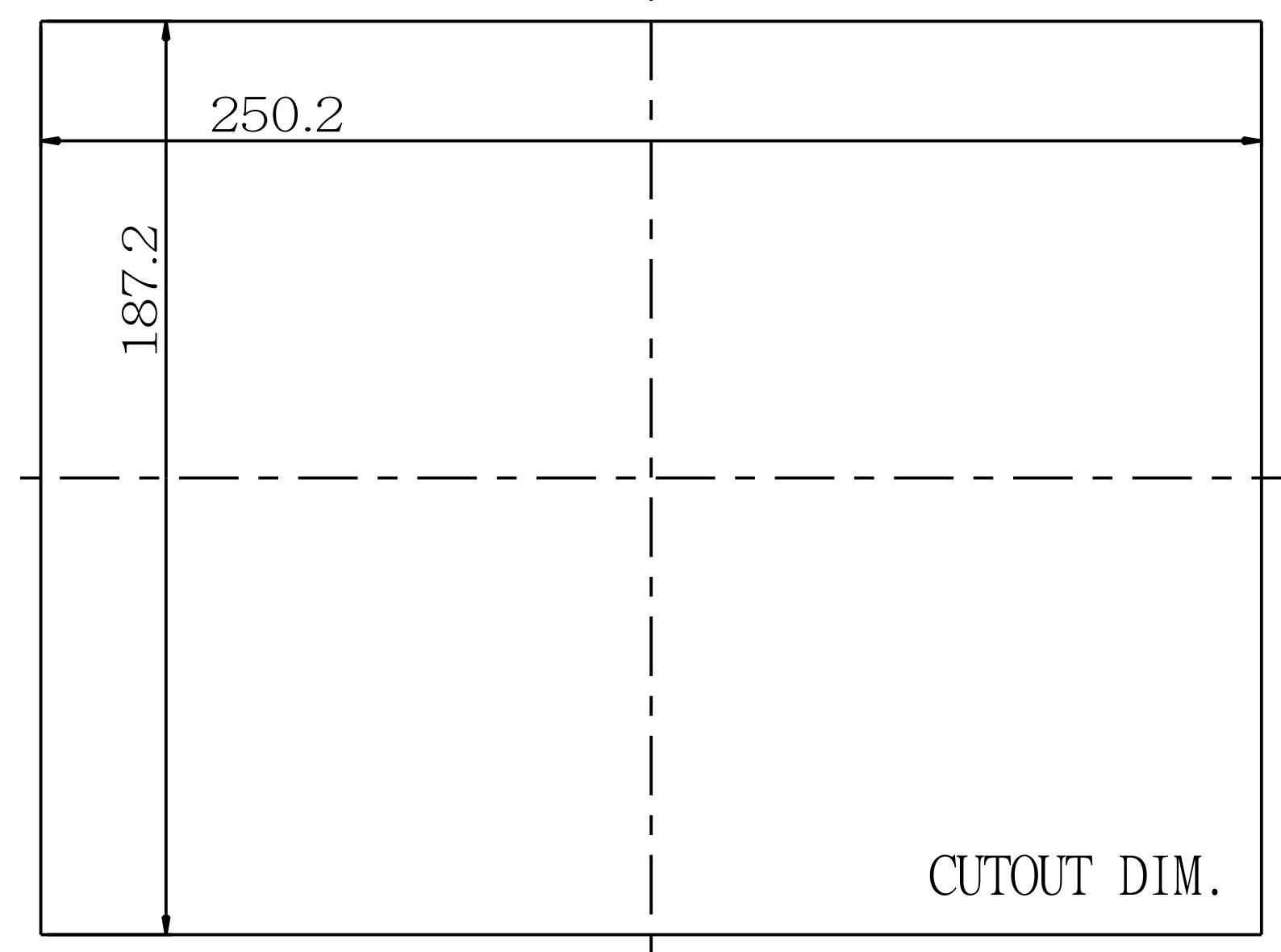
A

B

C



Wall Max Depth is 12mm.



AD/BOARD						Winsonic Electronics. Co., Ltd.							
INVERTER													
KEY PAD				MODEL		ZPPM104A		PART NAME		ASSEMBLY			
PANEL:		VERSION		MATERIAL		METAL		DATE		2017-Nov-22		SCALE	0.800
		V1						APPROVED		DRAWN		Chris	
												UNIT	MM