

A

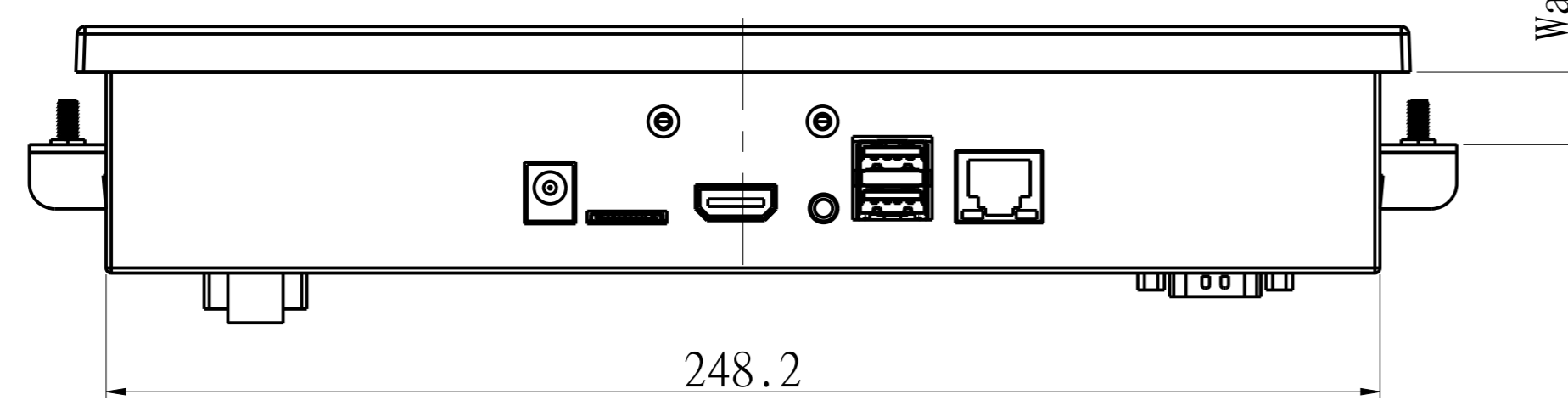
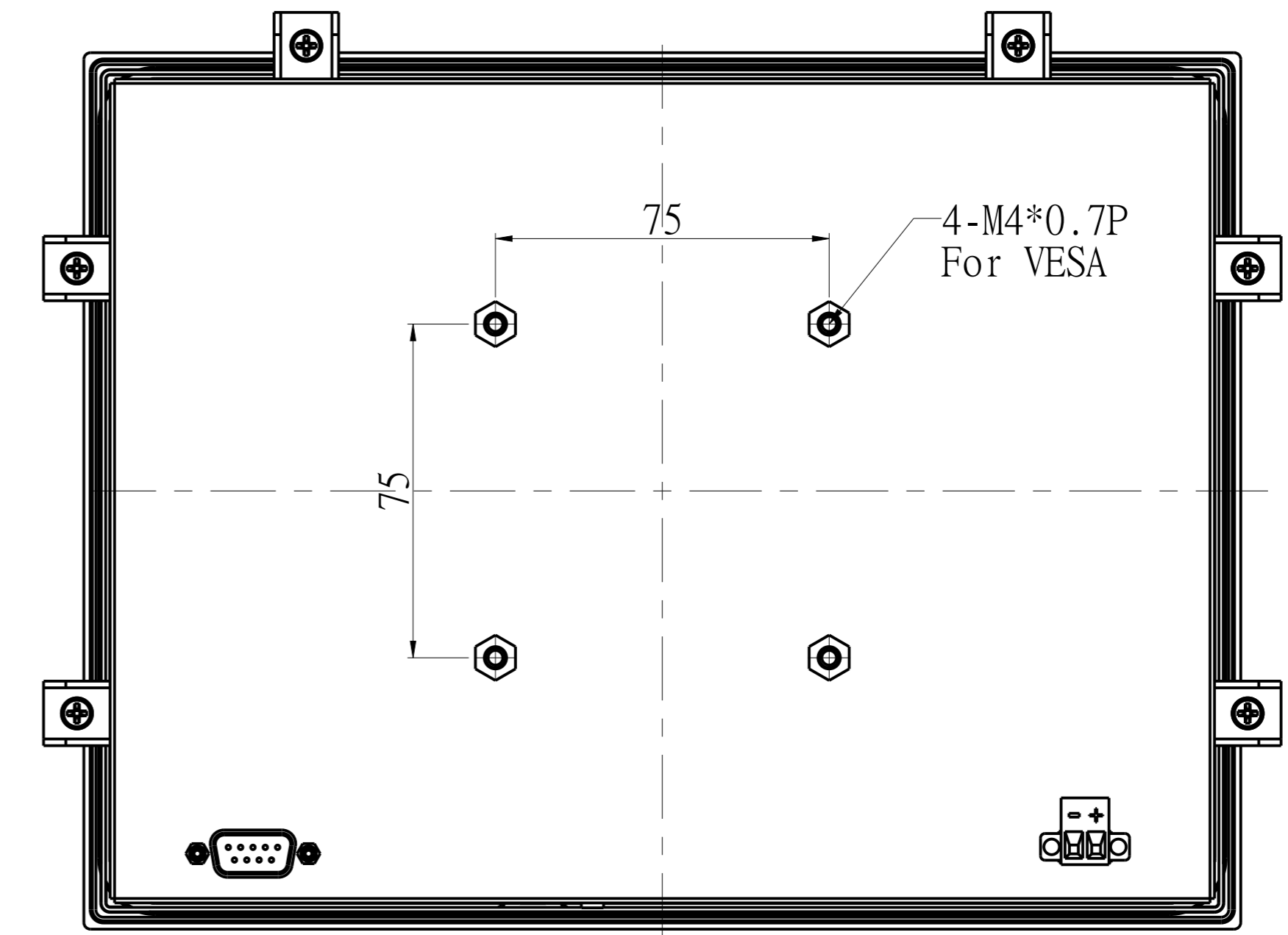
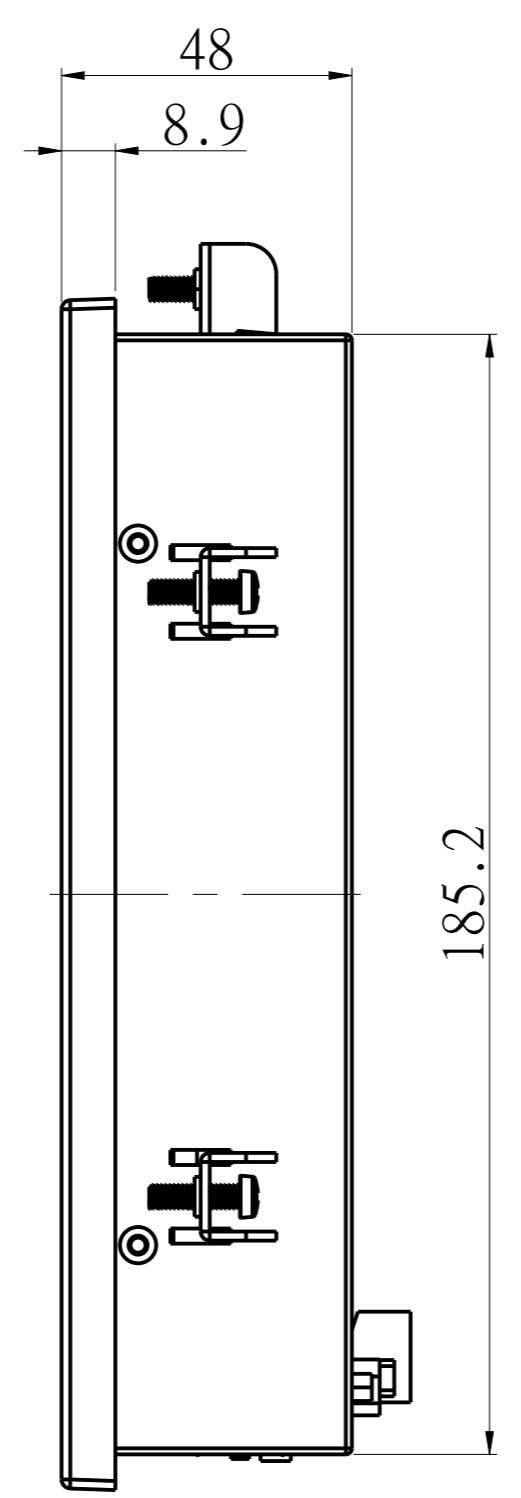
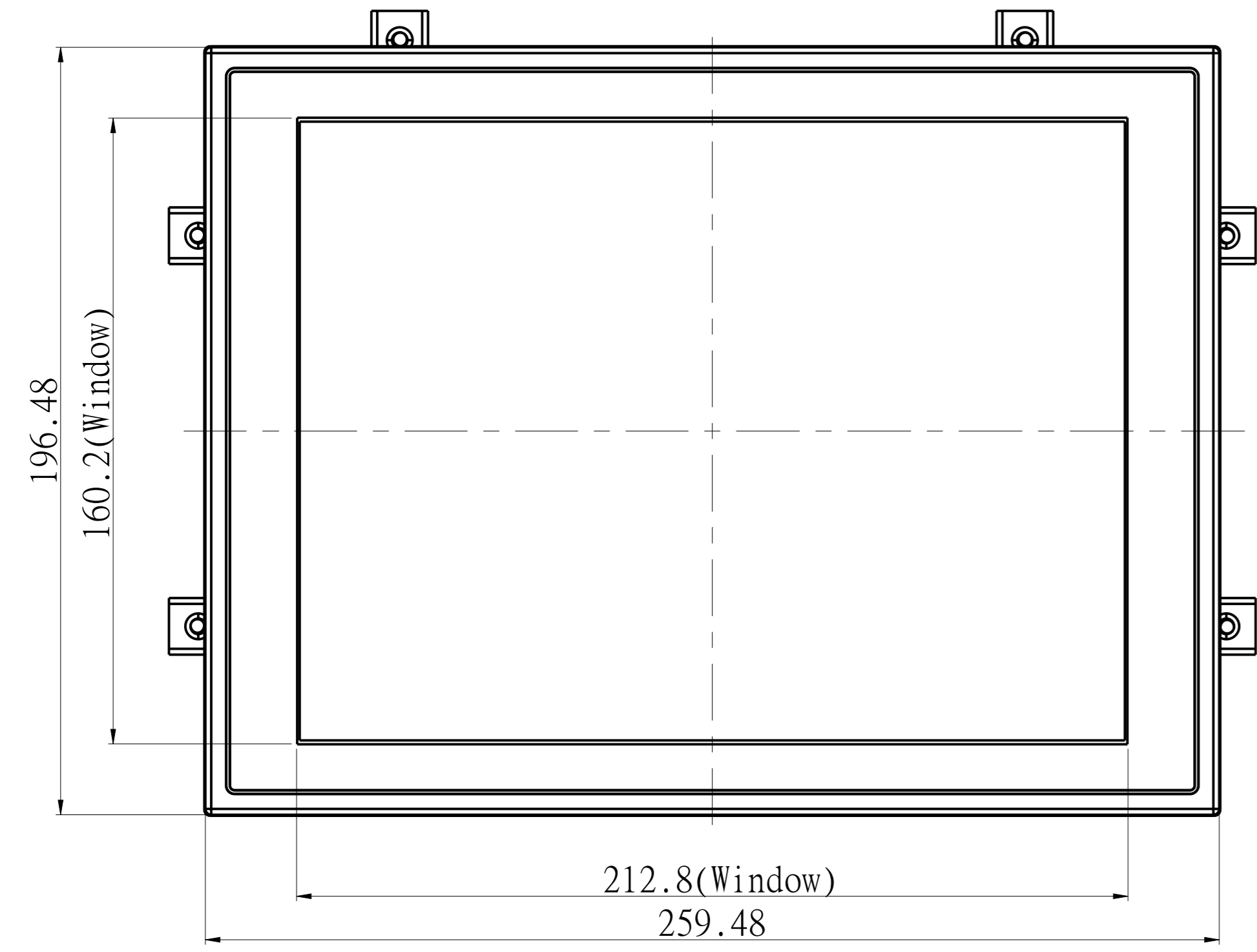
B

C

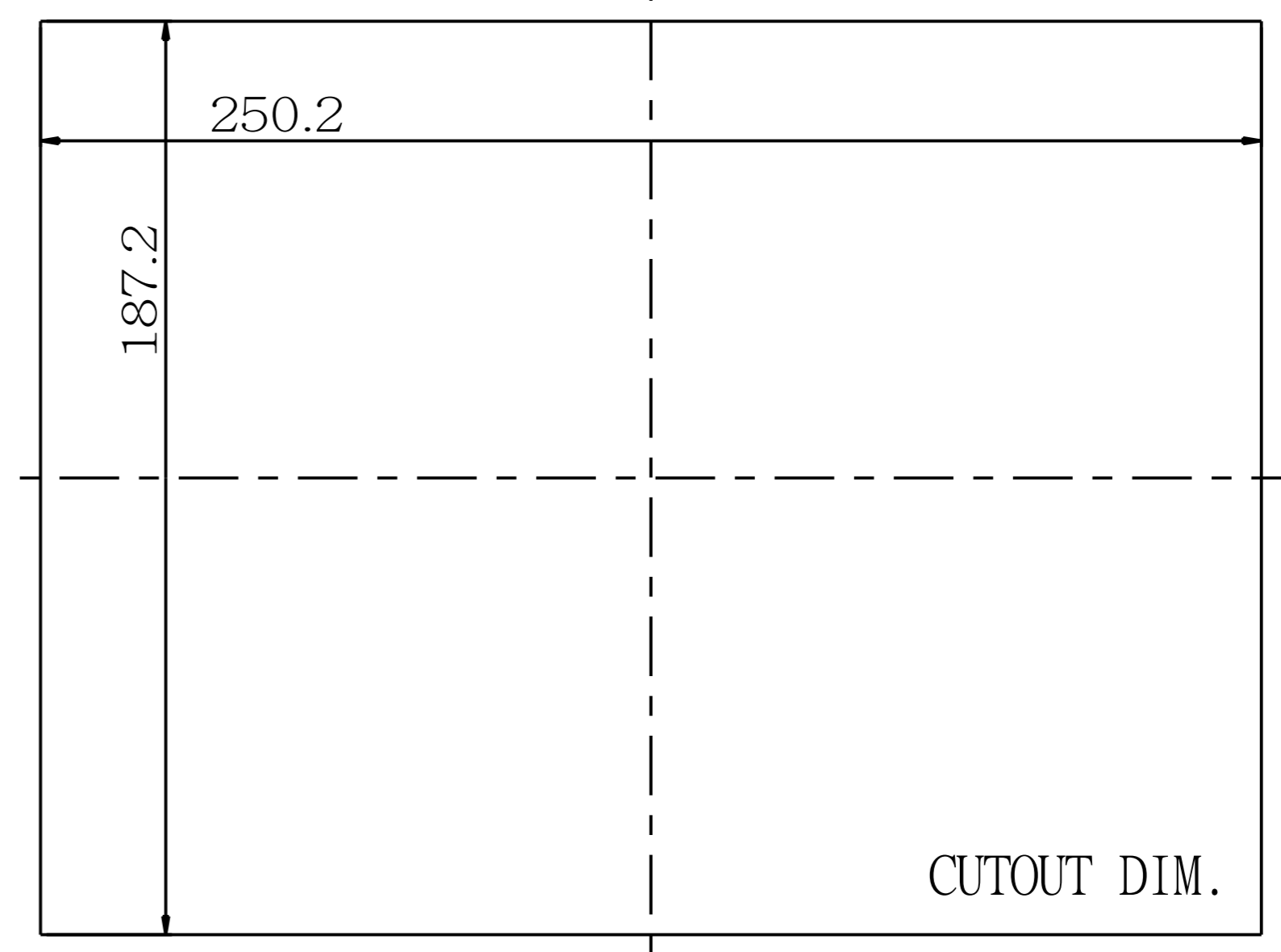
A

B

C



Wall Max Depth is 12mm.



AD/BOARD						Winsonic Electronics. Co., Ltd.							
INVERTER													
KEY PAD				MODEL		PPM104A		PART NAME		ASSEMBLY			
PANEL:		VERSION		MATERIAL		DATE		APPROVED		SCALE	UNIT	0.800	MM
		V1		METAL		2017-Nov-22				DRAWN	Chris		