

A

B

C

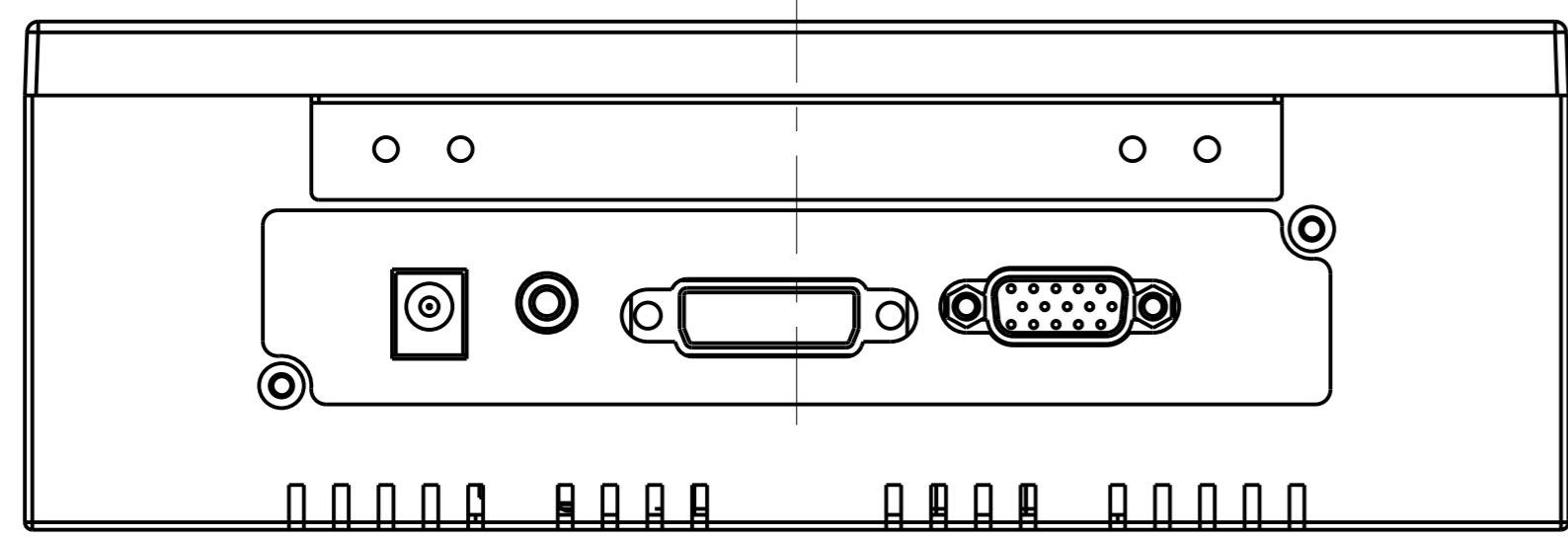
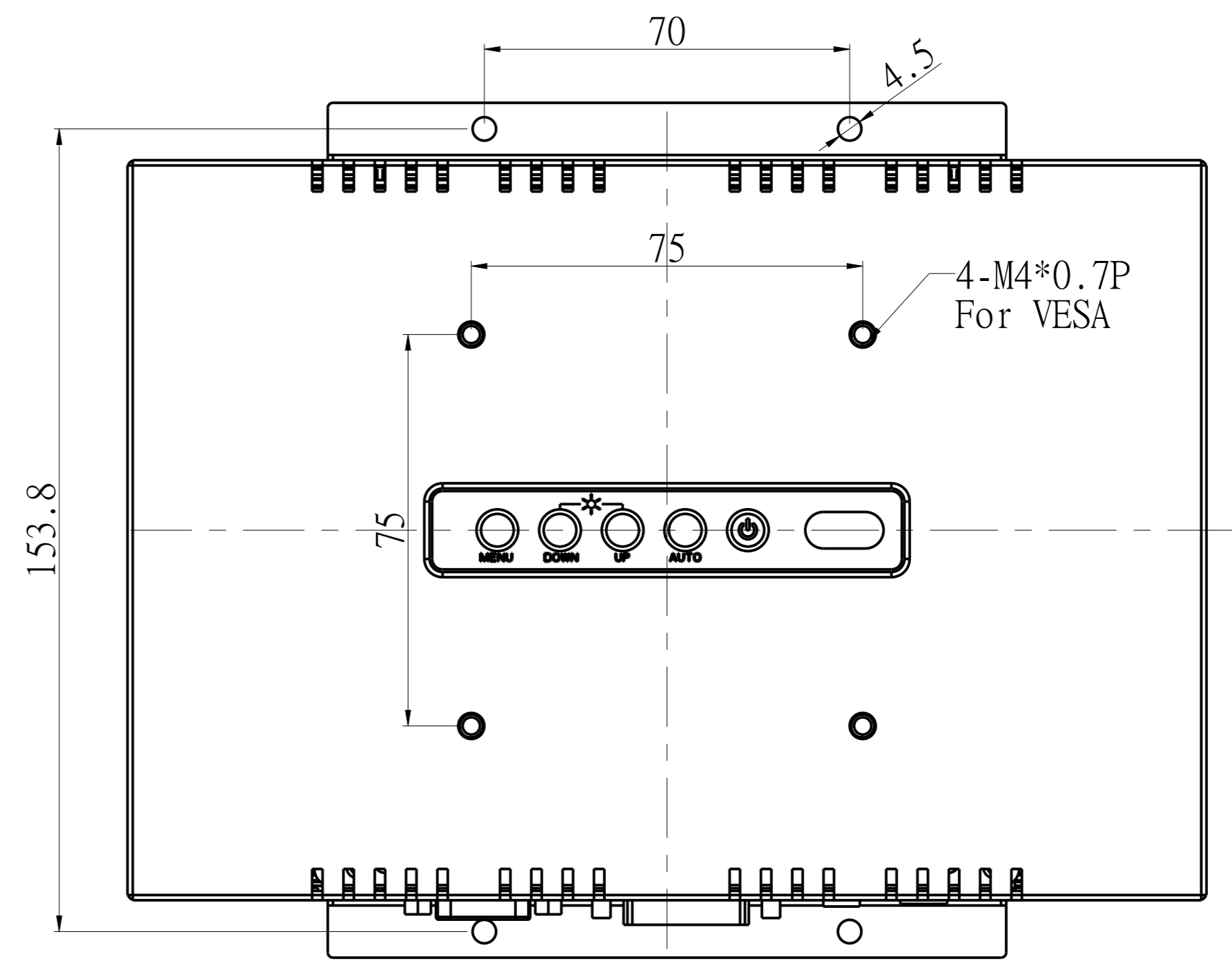
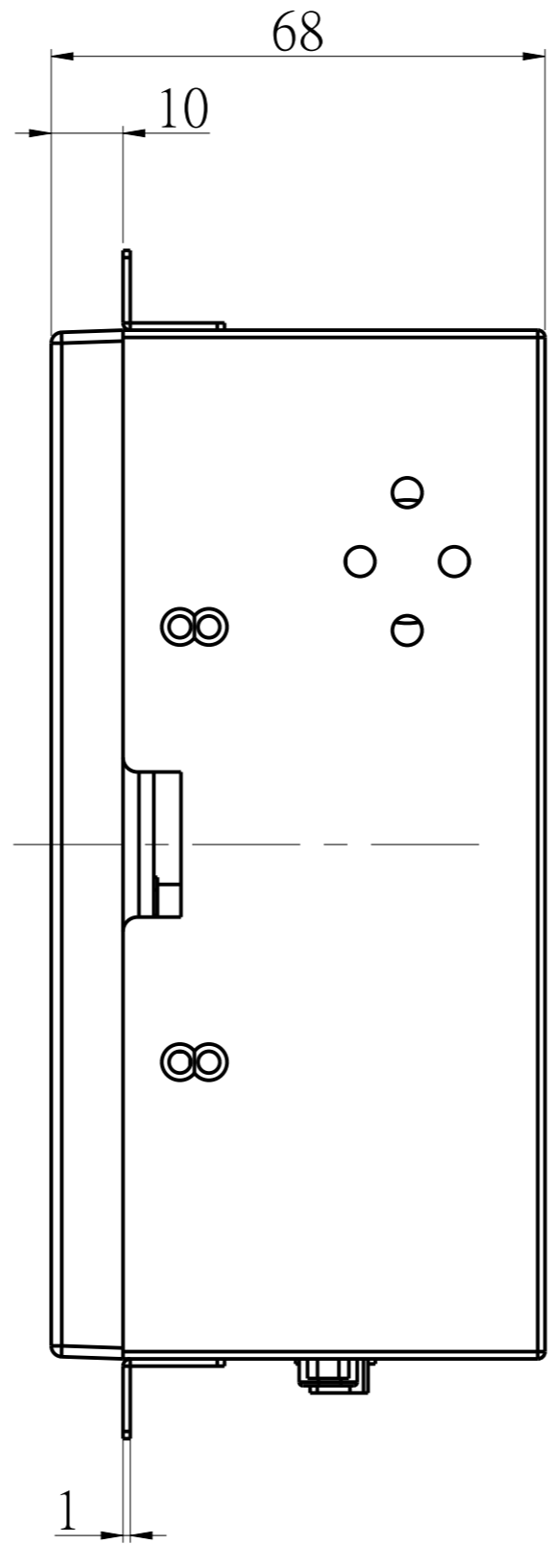
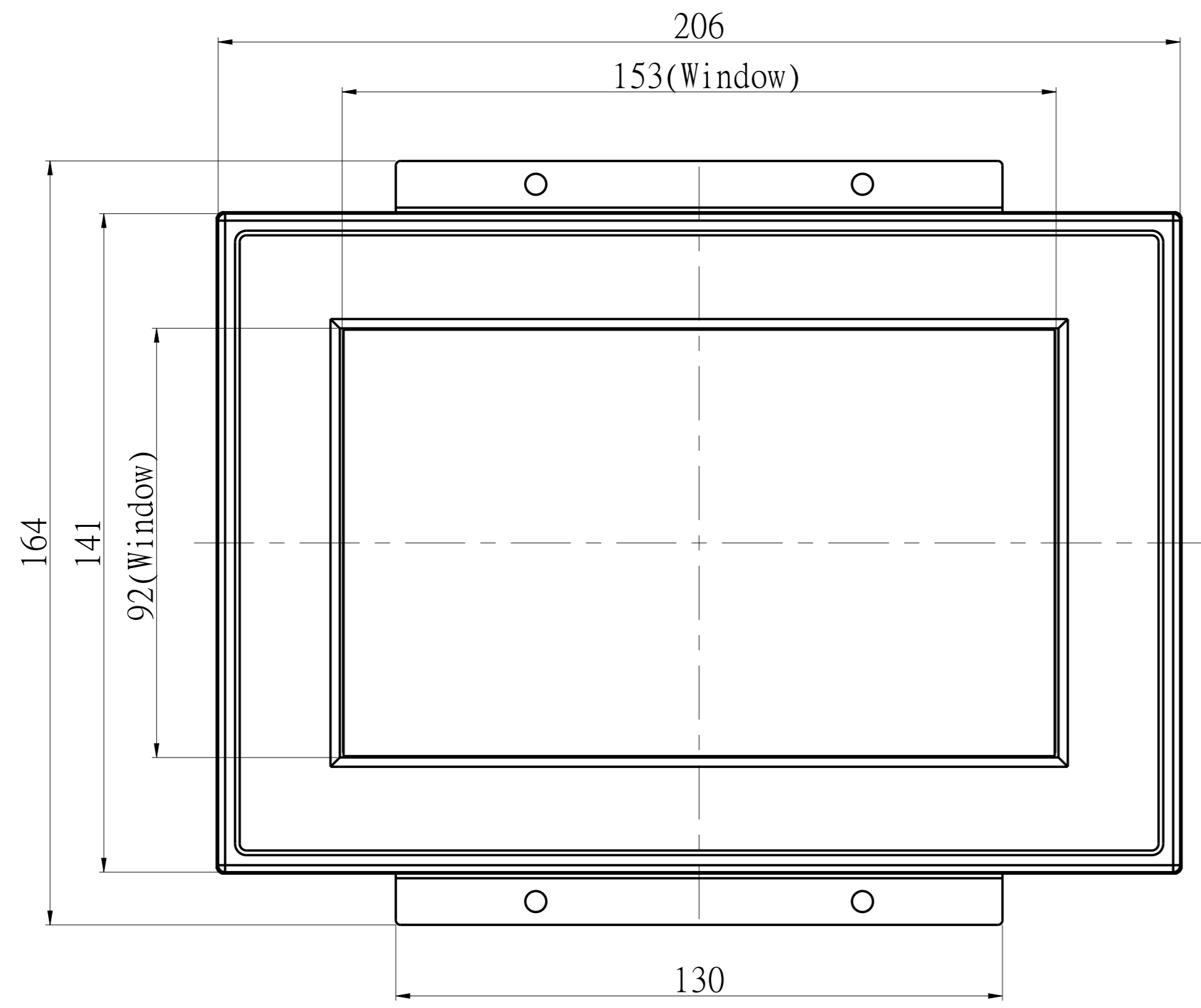
D

A

B

C

D



AD/BOARD		MODEL	ZCM070A			Winsonic Electronics. Co., Ltd.				
INVERTER										
KEY PAD										
PANEL:	VERSION	MATERIAL	METAL	DATE	2018-Jan-09	PART NAME	ASSEMBLY			
	V1					APPROVED	DRAWN	Chris	SCALE	1.000
1	2	3	4	5	UNIT	MM				