

1 2 3 4 5

A

B

C

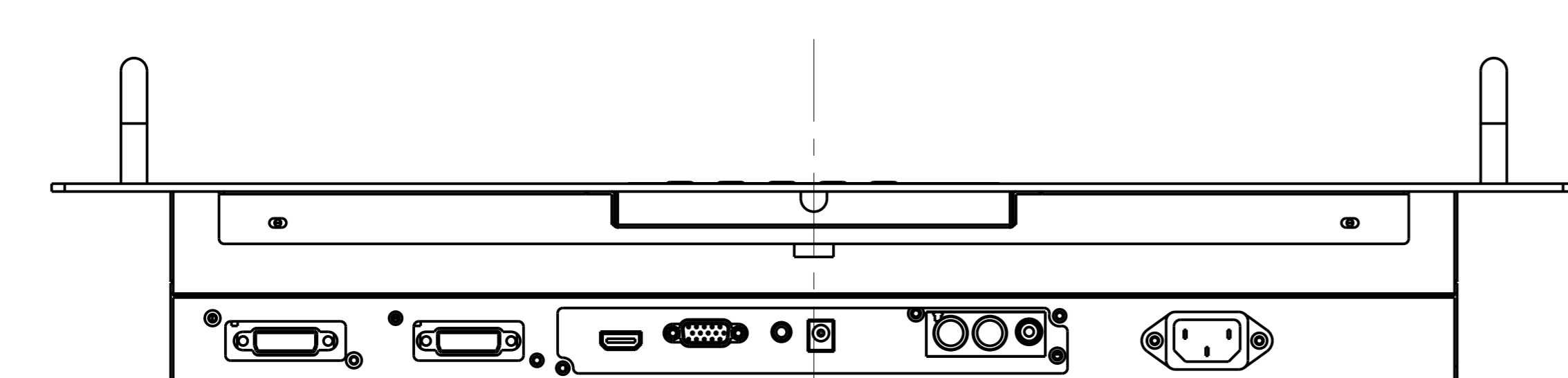
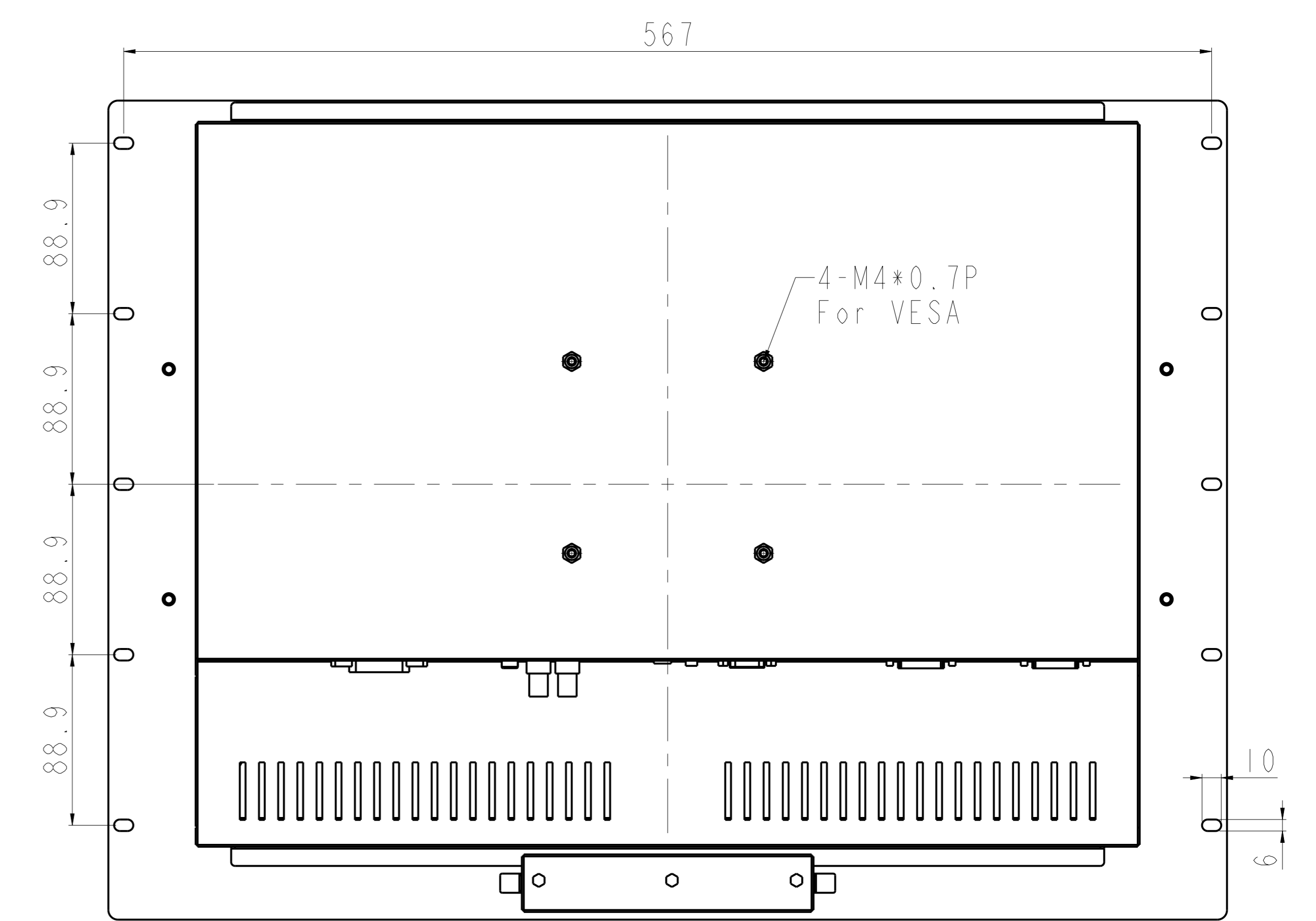
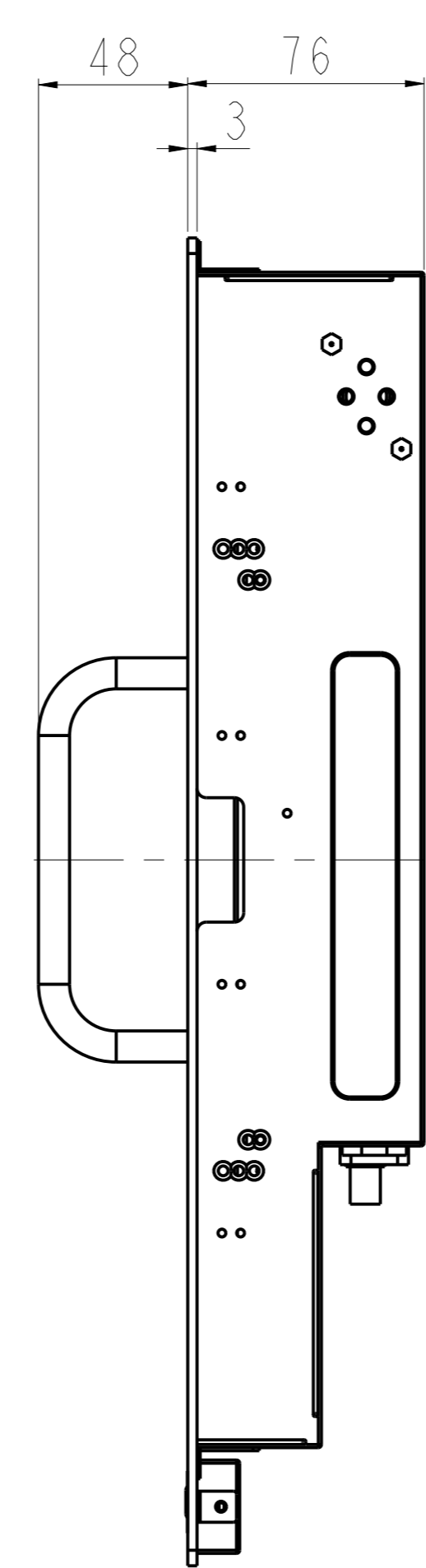
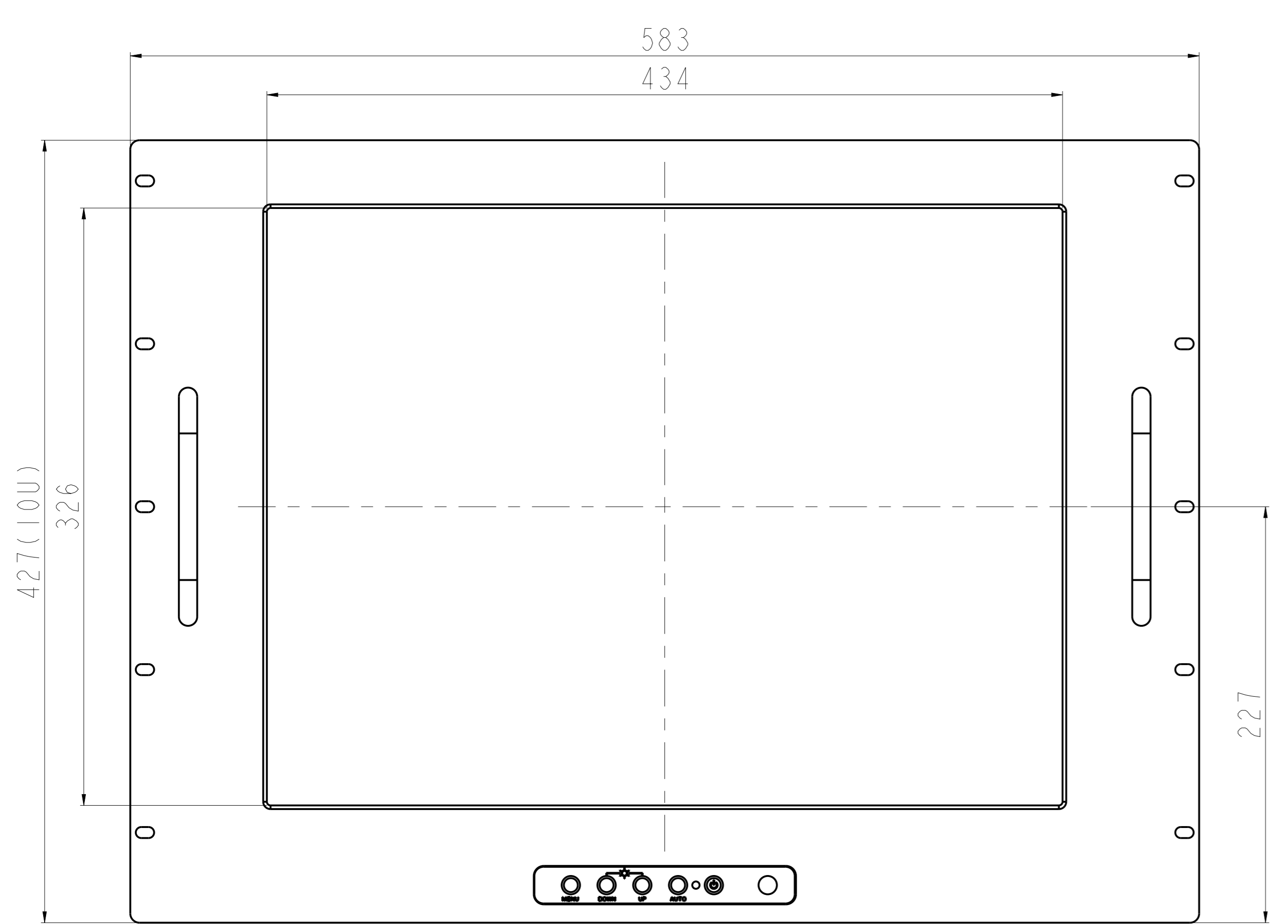
D

A

B

C

D



AD/BOARD		MODEL	RM2135-23RMF			Winsonic Electronics. Co., Ltd.				
INVERTER										
KEY PAD										
PANEL :	VERSION	MATERIAL	METAL	DATE	2014-Oct-29	PART NAME	ASSEMBLY			
	D					APPROVED	DRAWN	Chris	SCALE	0.500
									UNIT	MM

1 2 3 4 5