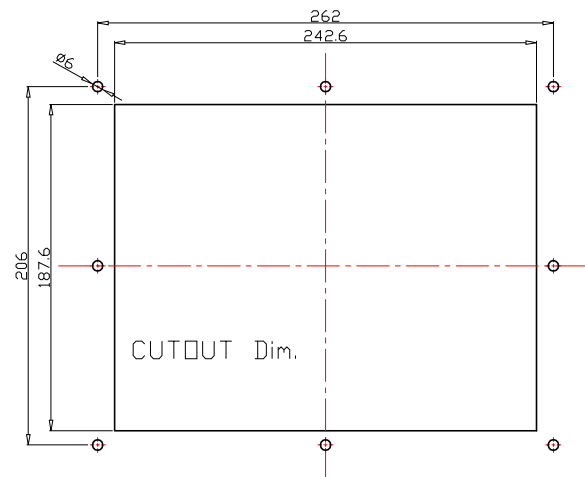


VIEW A



|          |  |       |        |  |  |          |             |      |           |    |          |  |       |  |
|----------|--|-------|--------|--|--|----------|-------------|------|-----------|----|----------|--|-------|--|
| AD/BOARD |  | MODEL | PM0846 |  | <b>泓瑜科技有限公司</b><br><b>WINSONIC TECH. CO., LTD.</b> |          |             |      | PART NAME |    | ASSEMBLY |  |       |  |
| INVERTER |  |       |        |  |  |          |             |      | DATE      |    | APPROVED |  | DRAWN |  |
| KEY PAD  |  |       |        |  | VERSION  | MATERIAL | 2012-Mar-09 | UNIT |           | MM |          |  |       |  |
| PANEL:   |  | D     |        |  |  |          |             |      |           |    |          |  |       |  |