

1

2

3

4

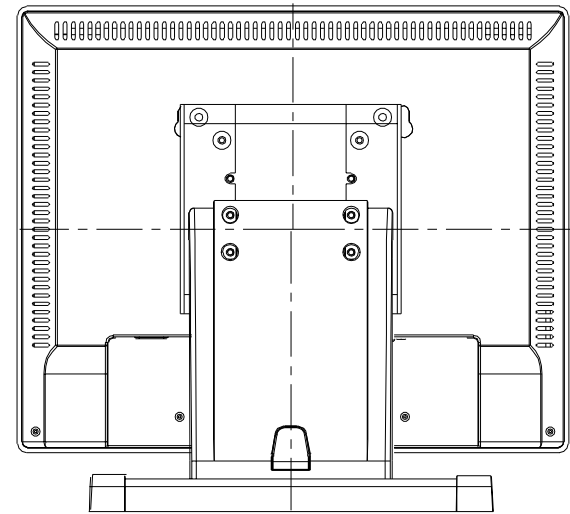
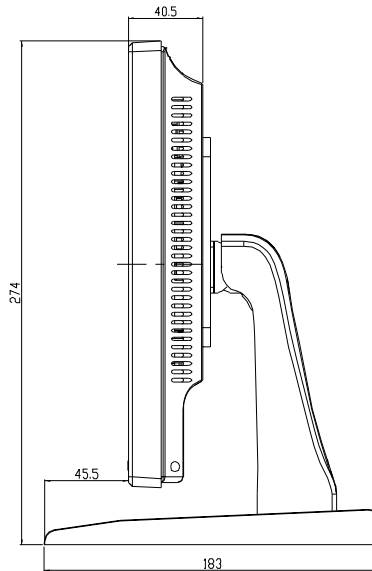
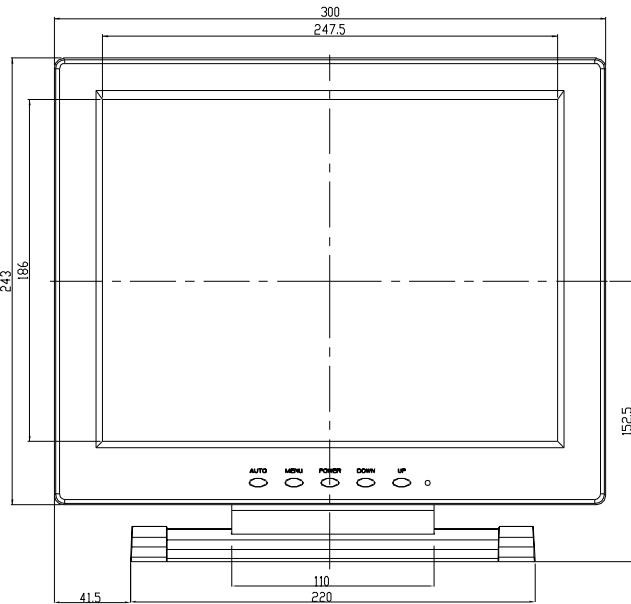
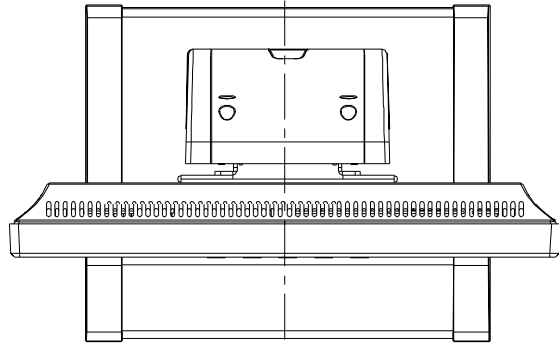
5

A

B

C

D



AD/BOARD	
INVERTER	
KEY PAD	
PANEL:	
	VERSION
	V1

MODEL		L1218		
MATERIAL	METAL	DATE	2017-Sep-19	

Winsonic Electronics. Co., Ltd.				
PART NAME	ASSEMBLY			
APPROVED	DRAWN	Chris	SCALE	1.000
			UNIT	MM