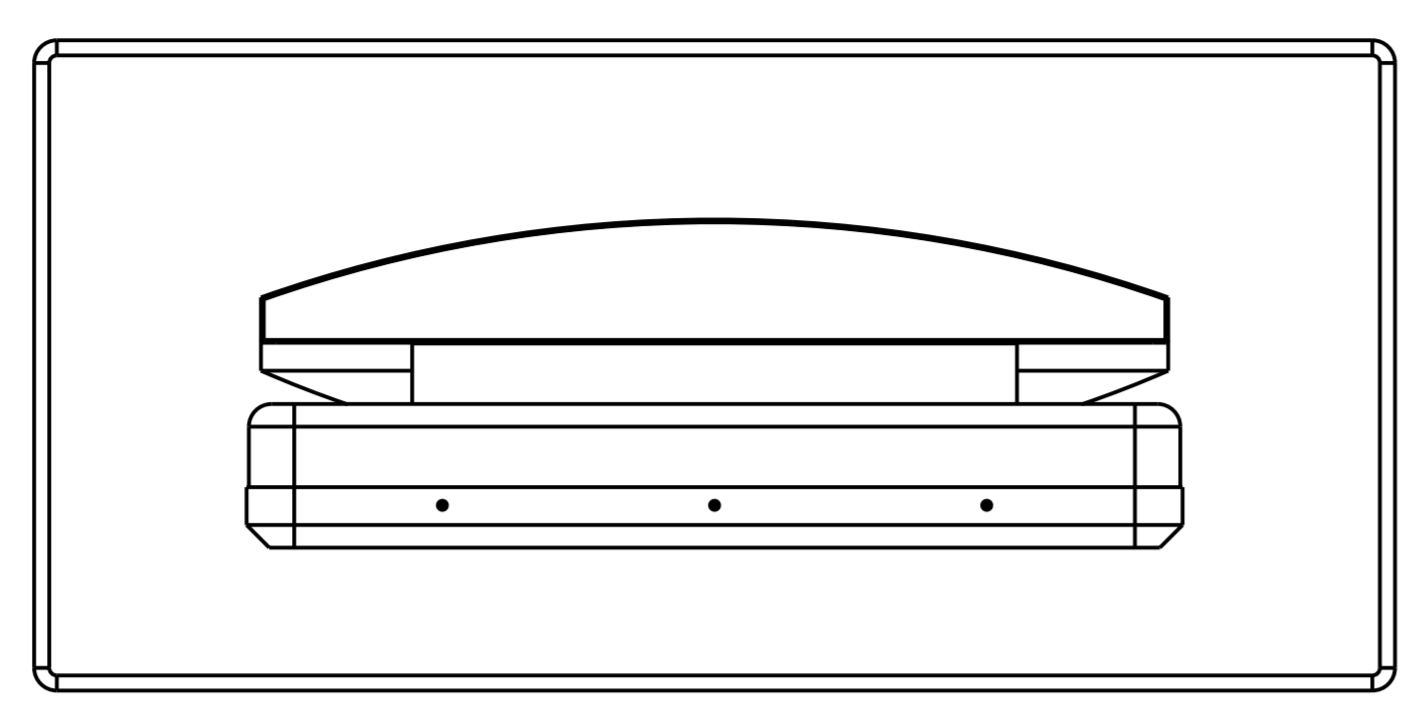


1 2 3 4 5

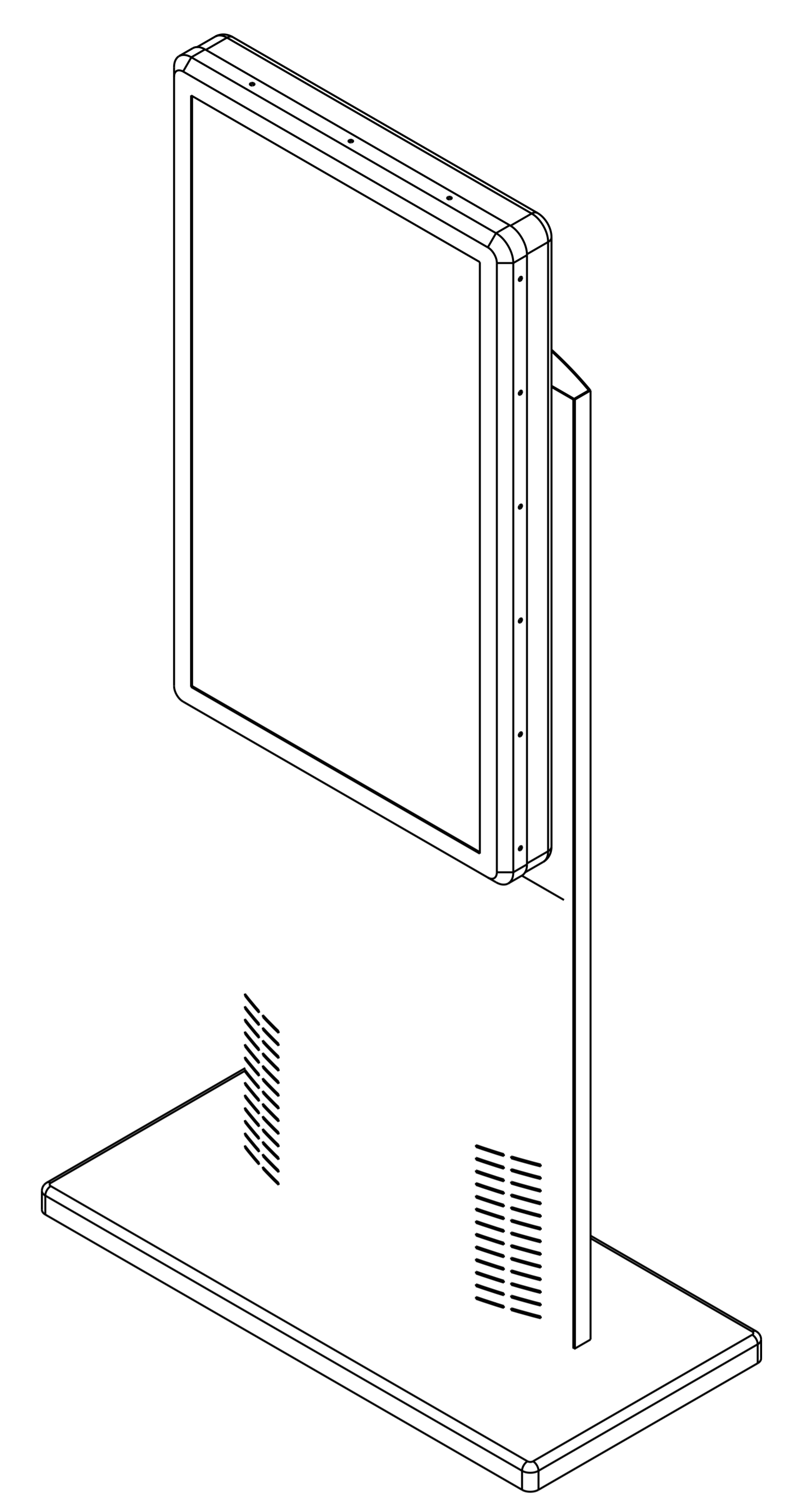
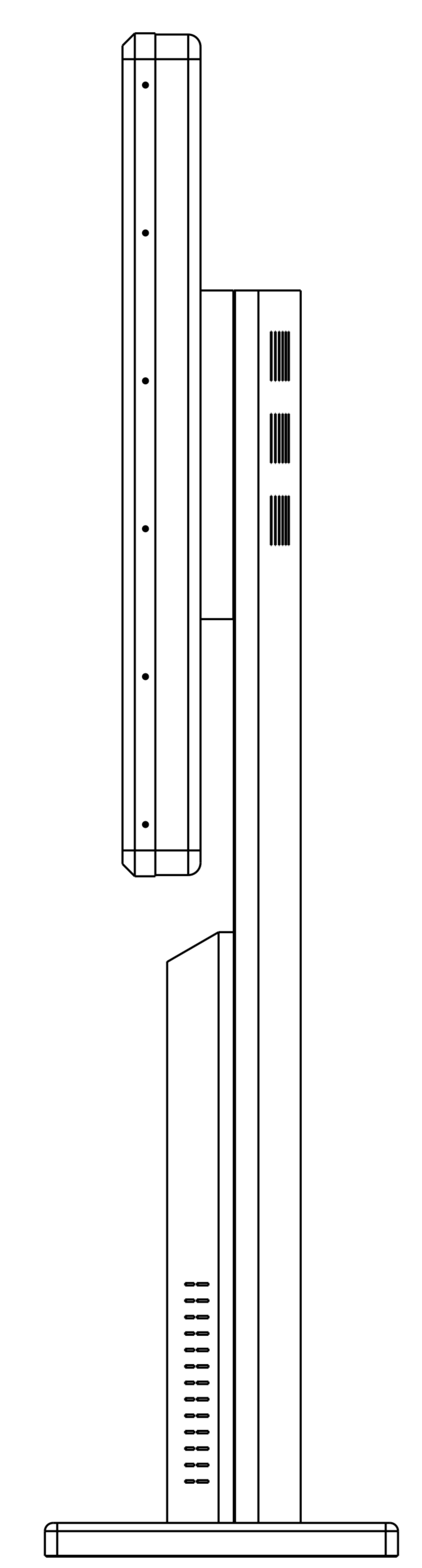
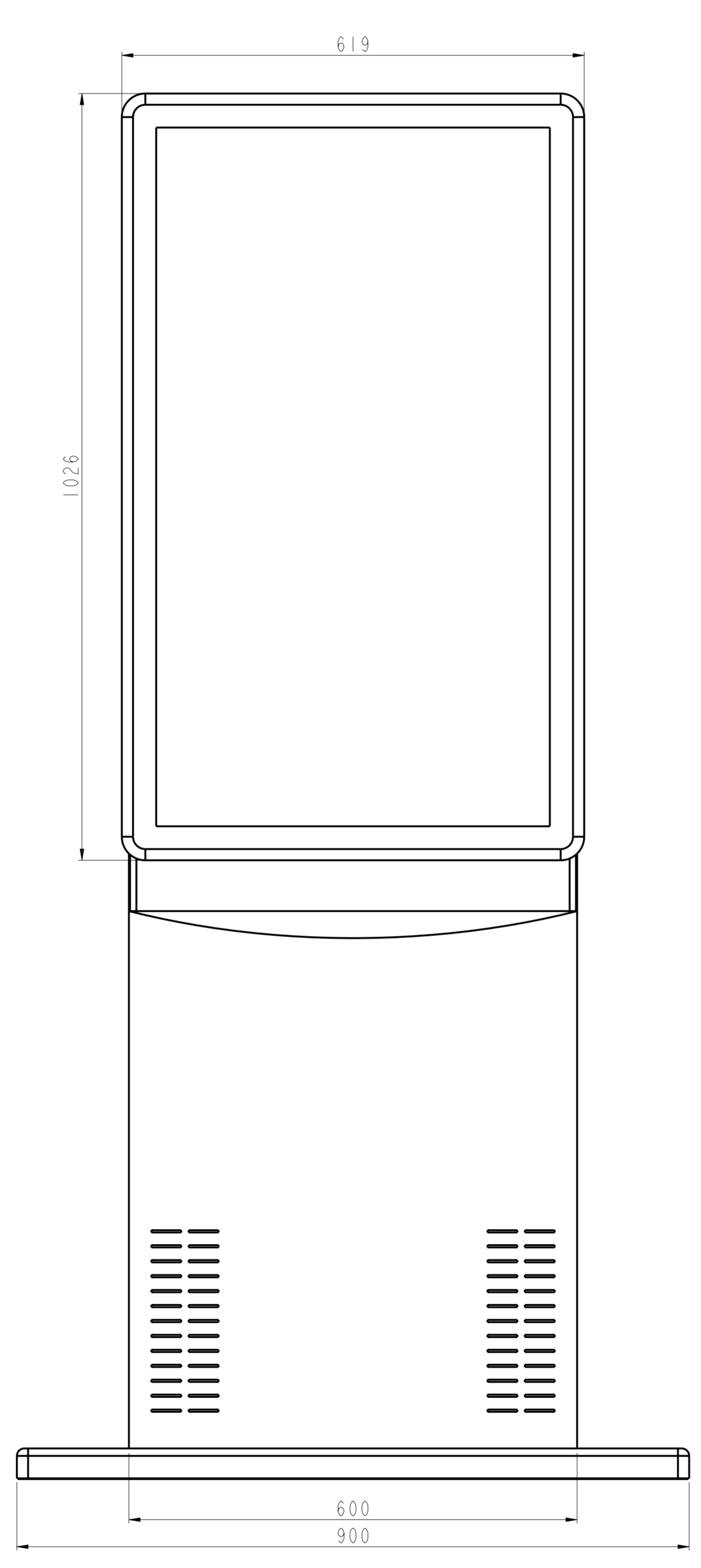
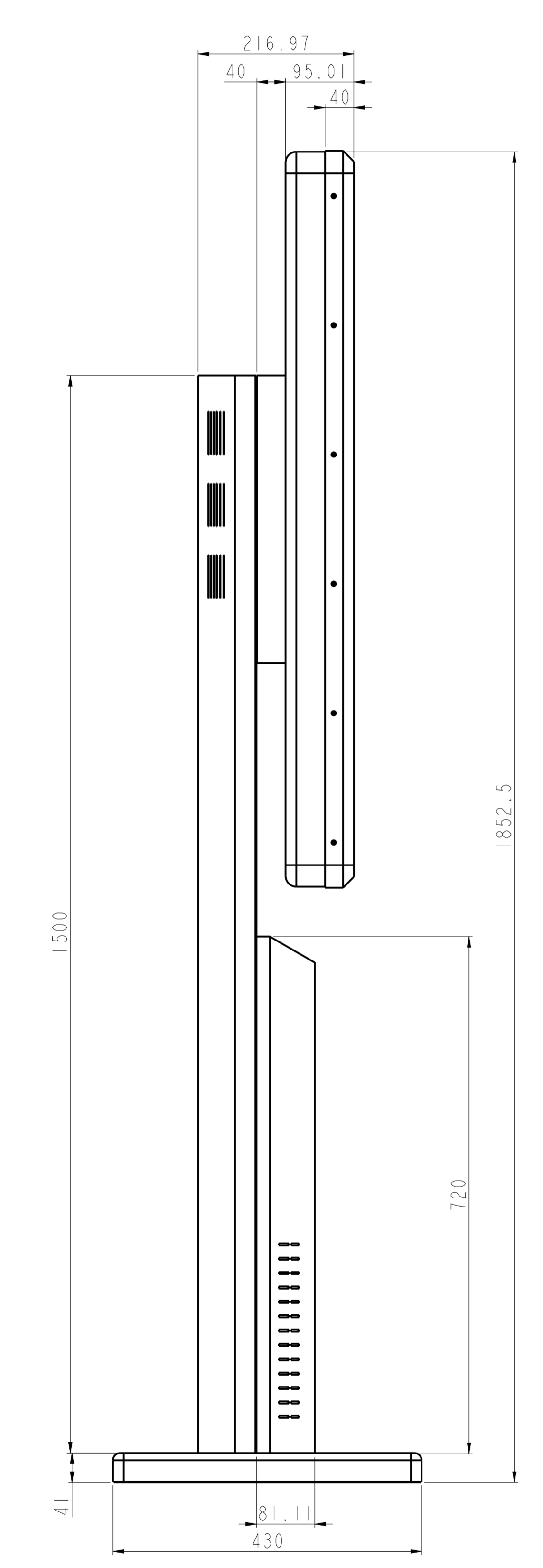
A

A



B

B



C

C

AD/BOARD	
INVERTER	
KEY PAD	
PANEL :	VERSION
	V1

MODEL	KS42004		
MATERIAL	METAL	DATE	2013-Dec-09

<b>Winsonic Electronics. Co., Ltd.</b>			
PART NAME	ASSEMBLY		
APPROVED	DRAWN	Chris	SCALE 0.200
			UNIT MM

1 2 3 4 5

D

D