

I 2 3 4 5

A

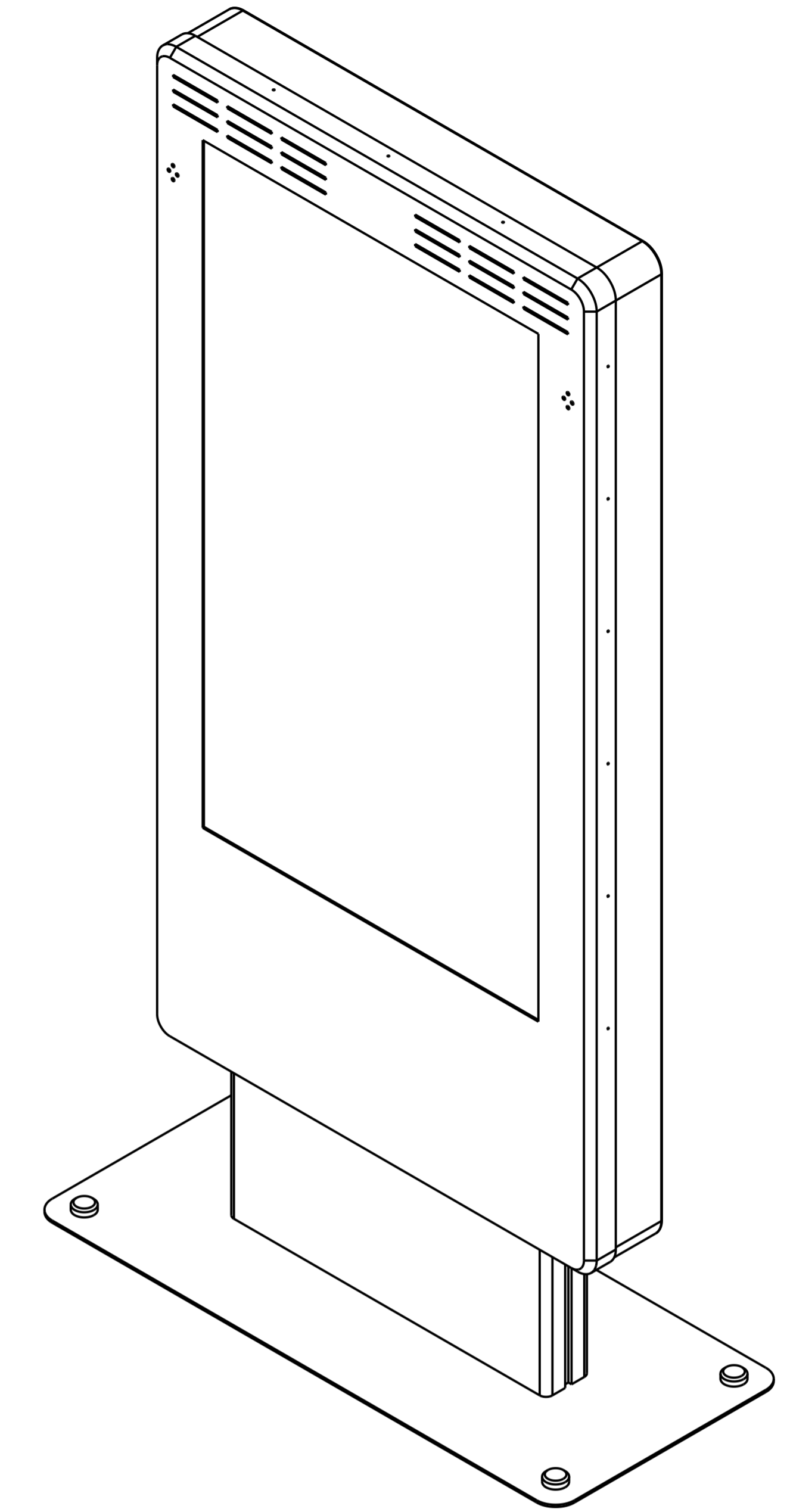
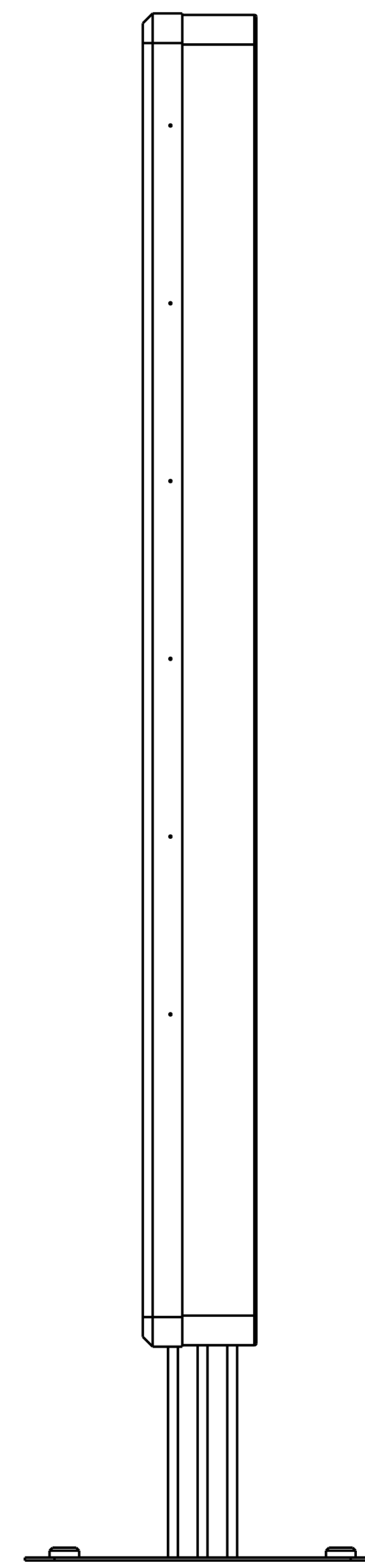
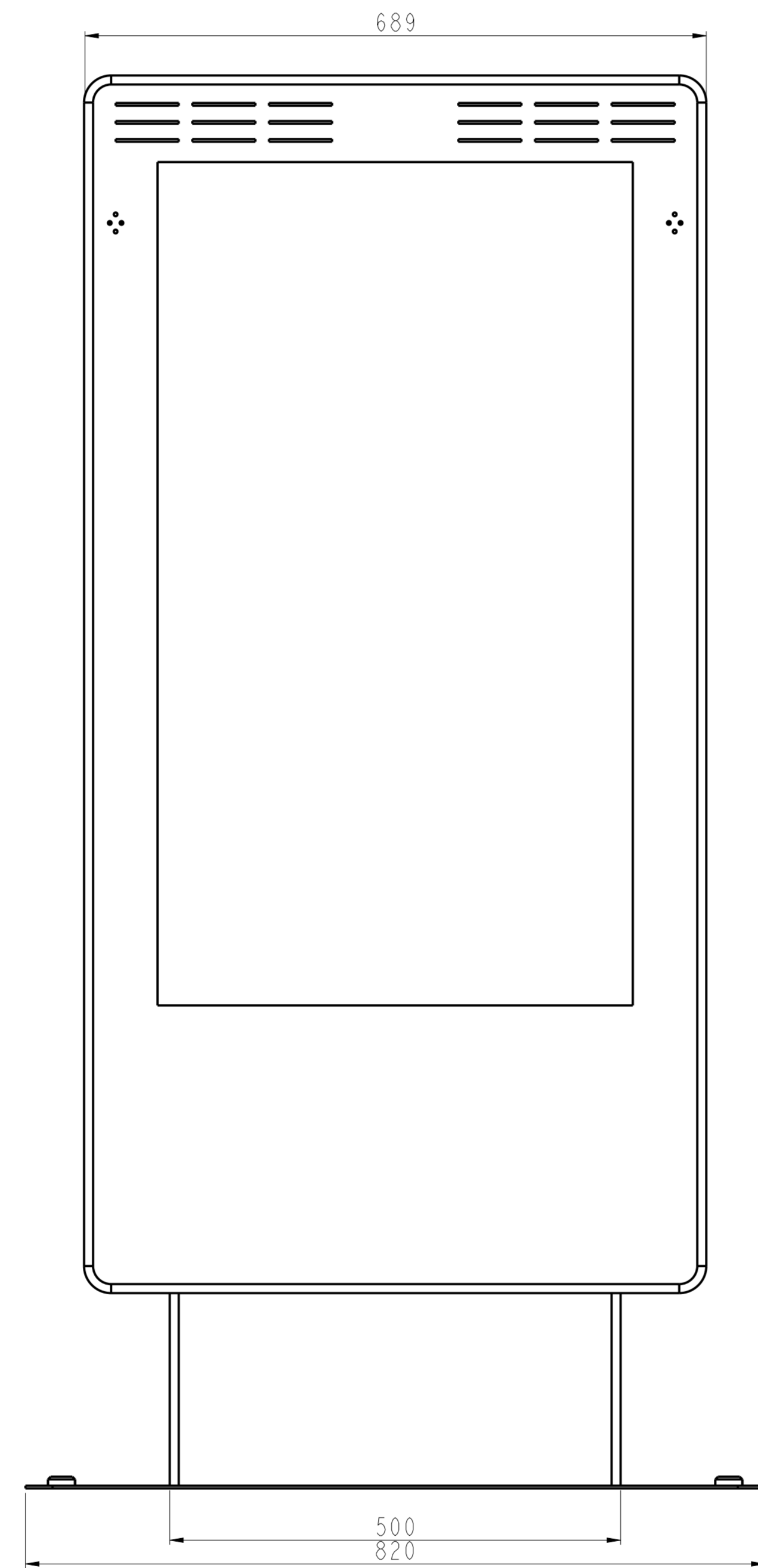
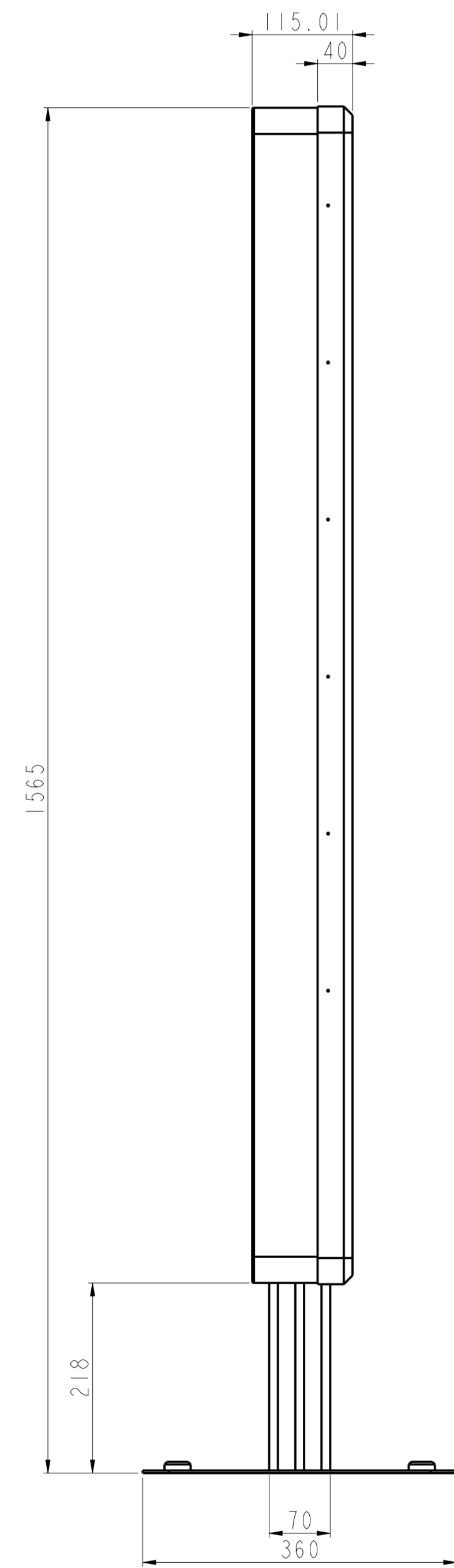
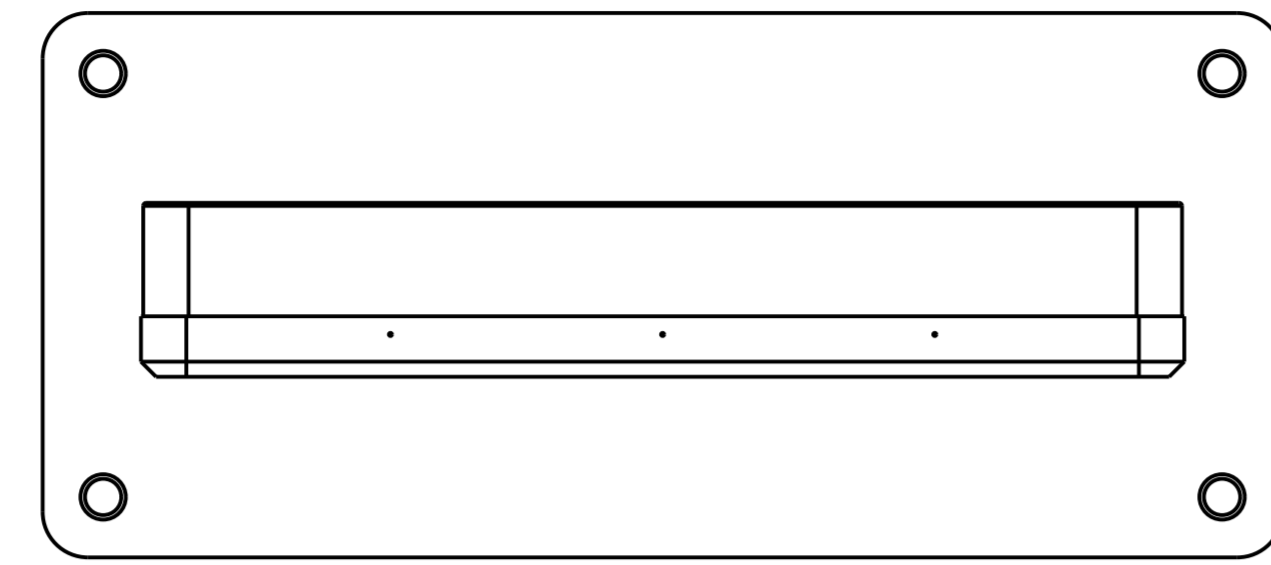
B

C

A

B

C



AD/BOARD		MODEL	KS42003			Winsonic Electronics. Co., Ltd.				
INVERTER										
KEY PAD										
PANEL :	VERSION	MATERIAL	METAL	DATE	2012-Oct-08	PART NAME	ASSEMBLY			
	V1					APPROVED	DRAWN	Chris	SCALE	0.200
									UNIT	MM

I 2 3 4 5