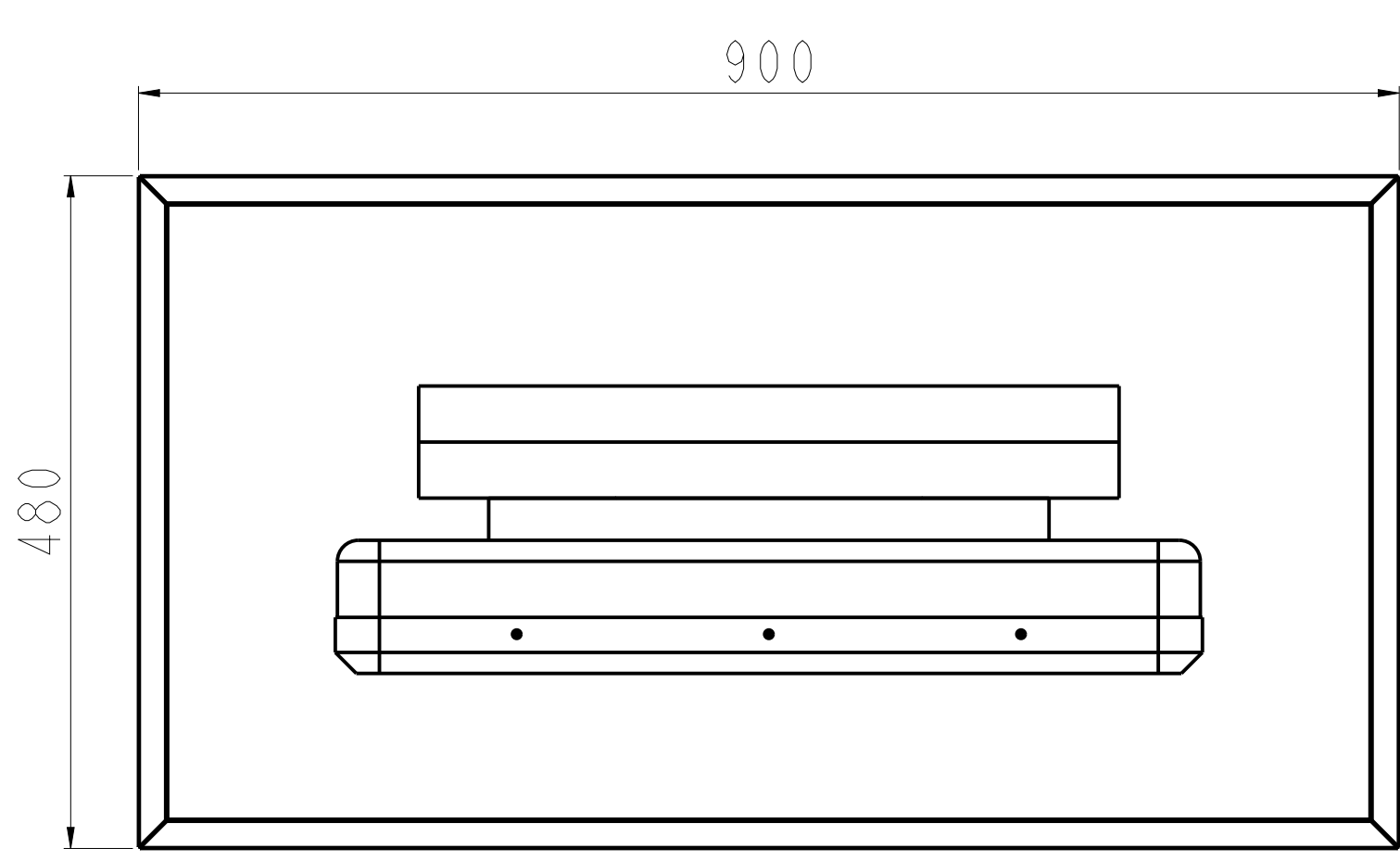
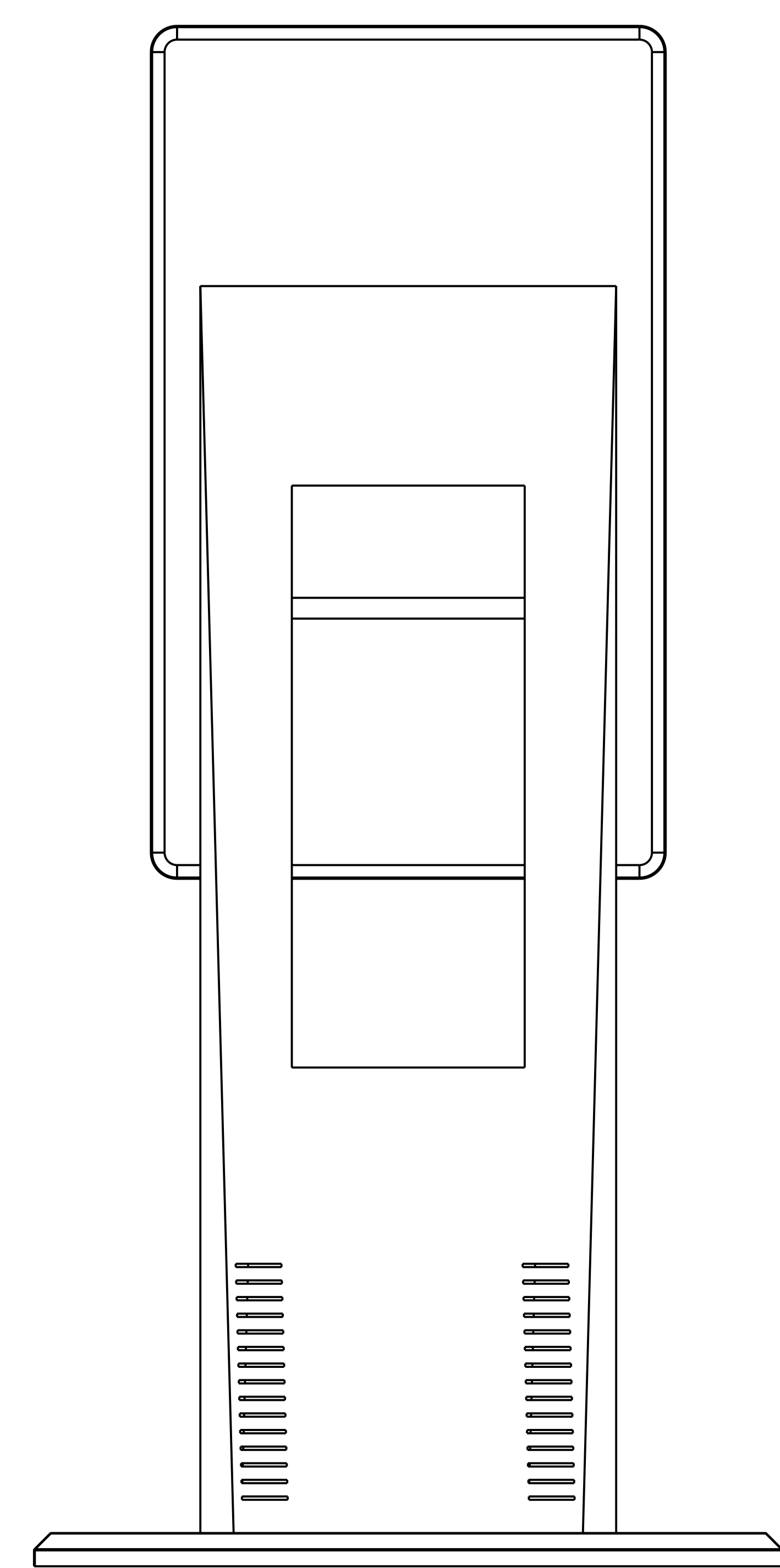
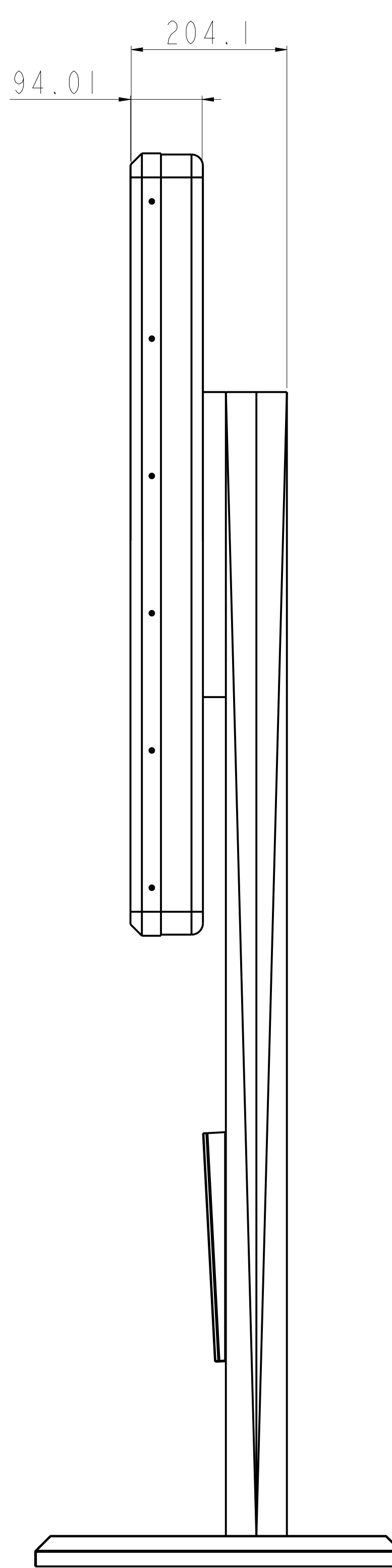
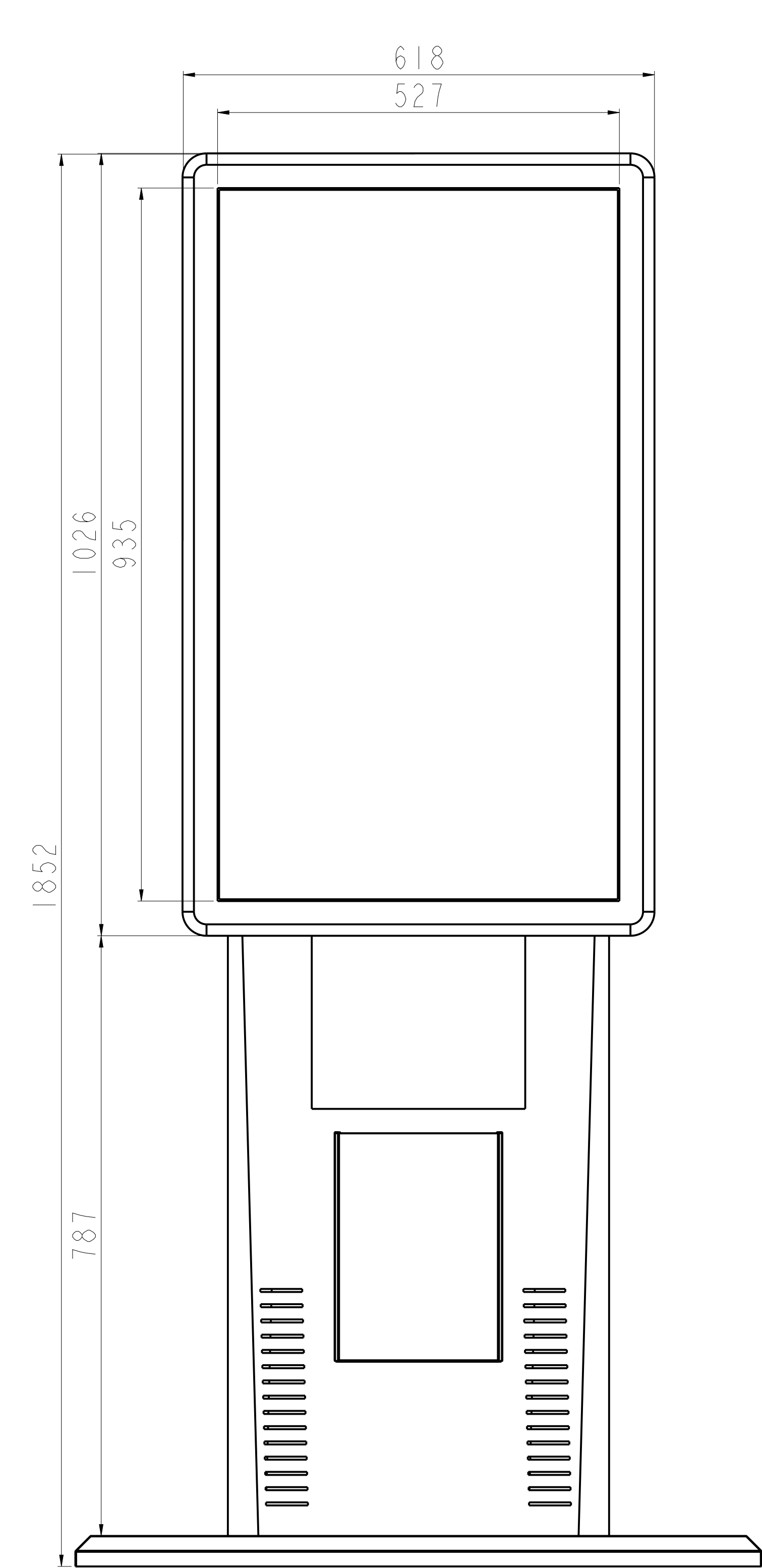


I 2 3 4 5

A



B



C

D

AD/BOARD		MODEL	KS 42002			Winsonic Electronics. Co., Ltd.				
INVERTER										
KEY PAD										
PANEL :	VERSION	MATERIAL	METAL	DATE	2013-Sep-13	PART NAME	ASSEMBLY			
	V1					APPROVED	DRAWN	Chris	SCALE	0.200
								UNIT	MM	

I 2 3 4 5