

I 2 3 4 5

A

A

B

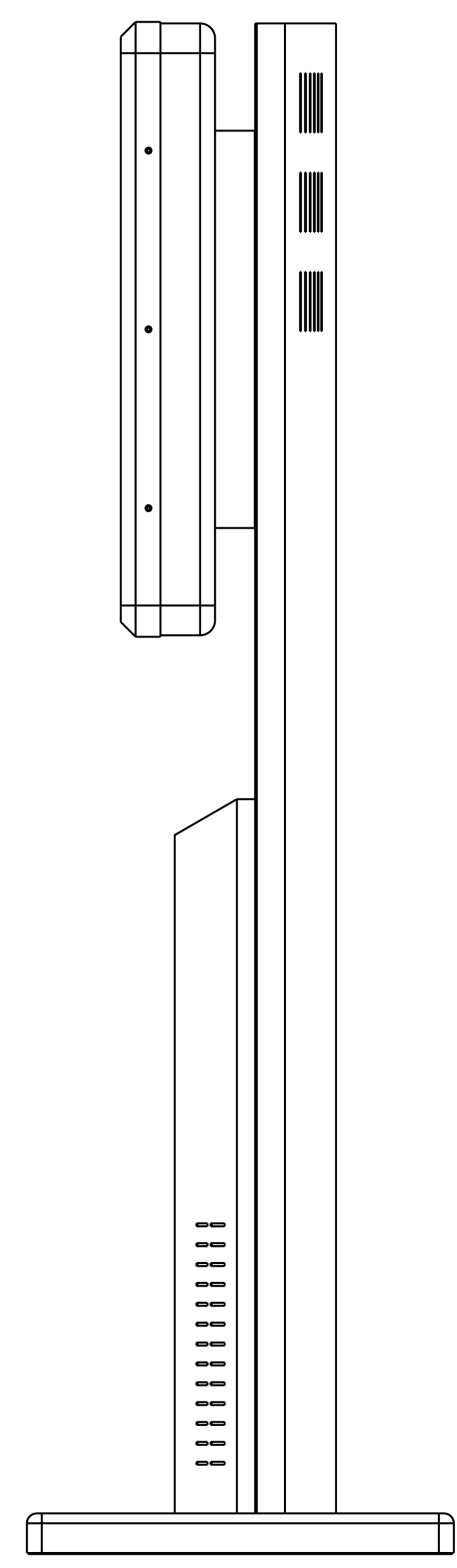
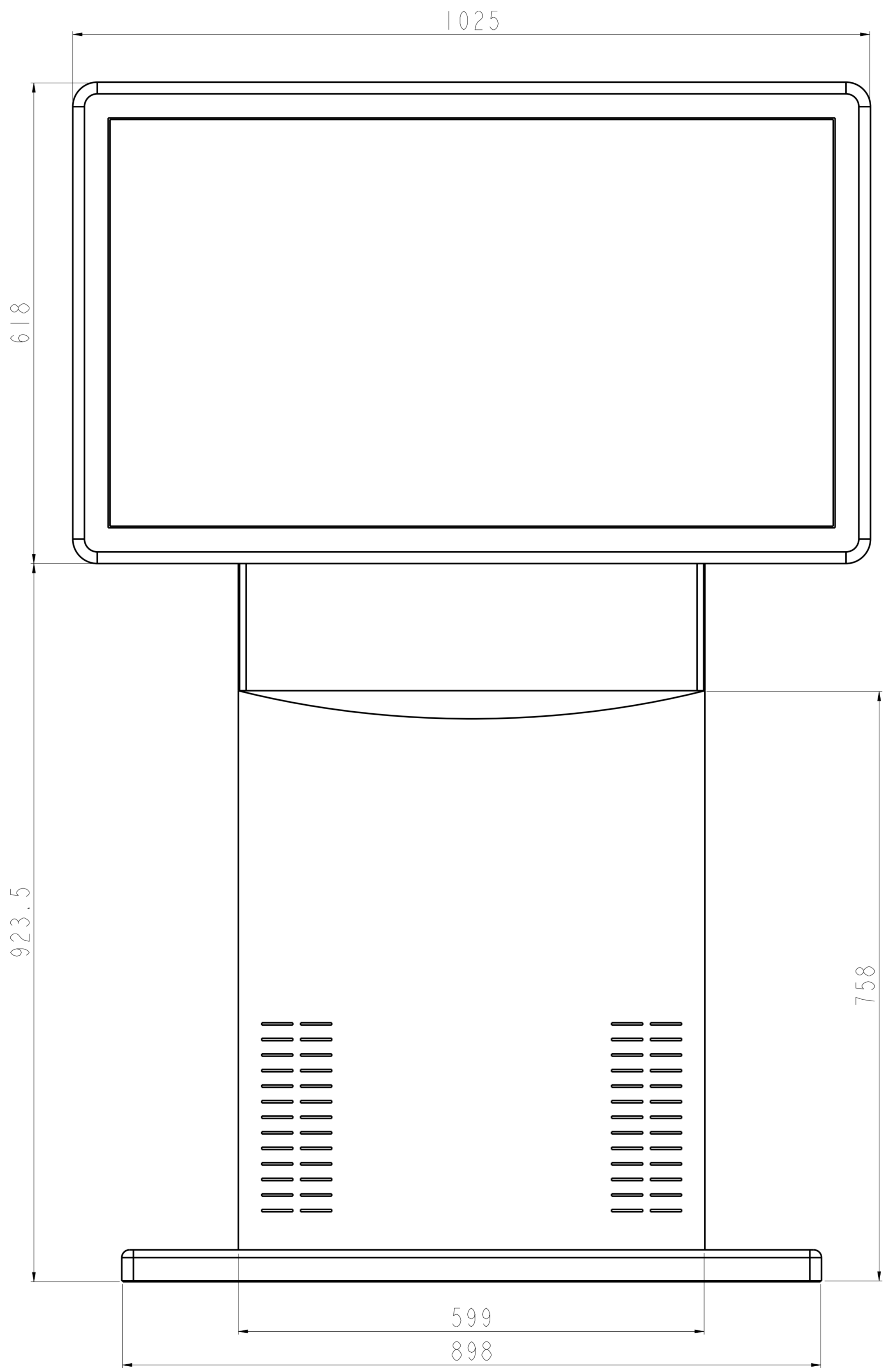
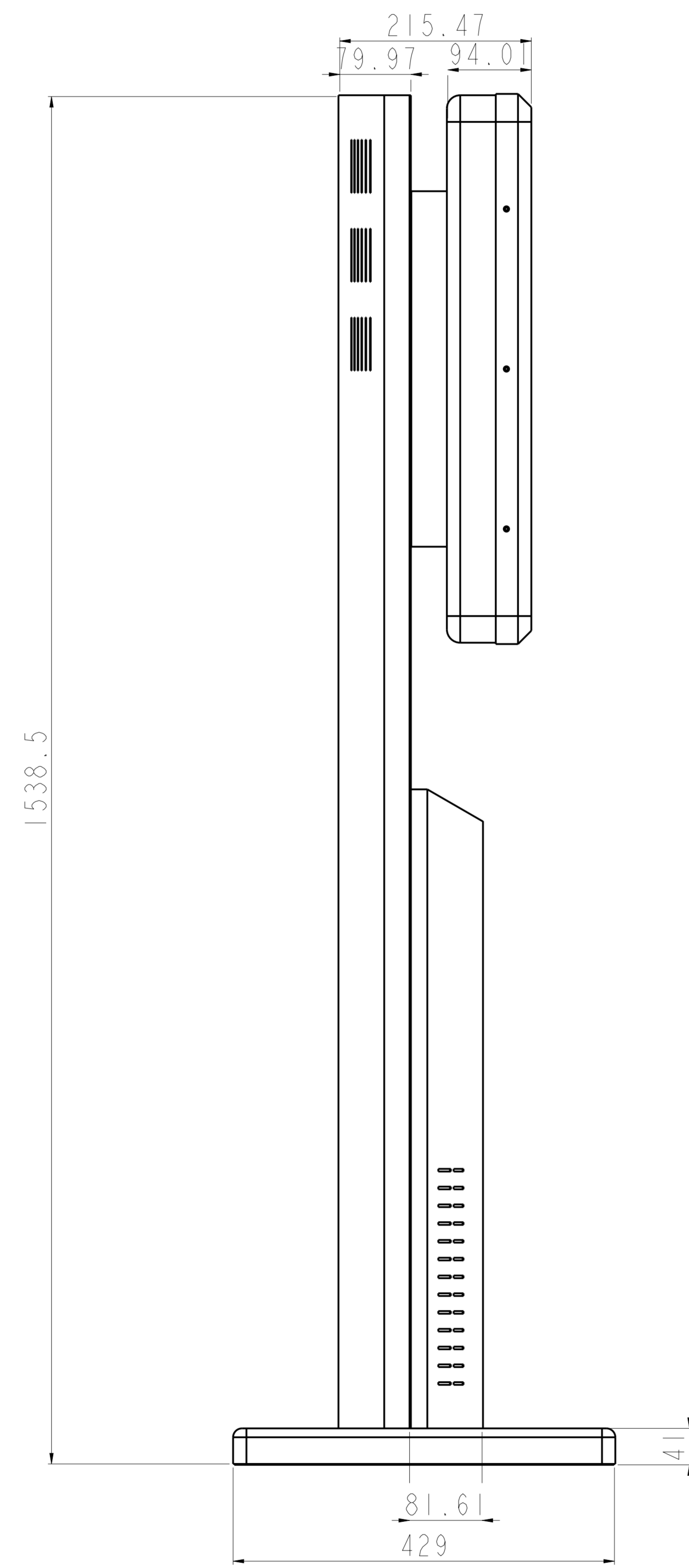
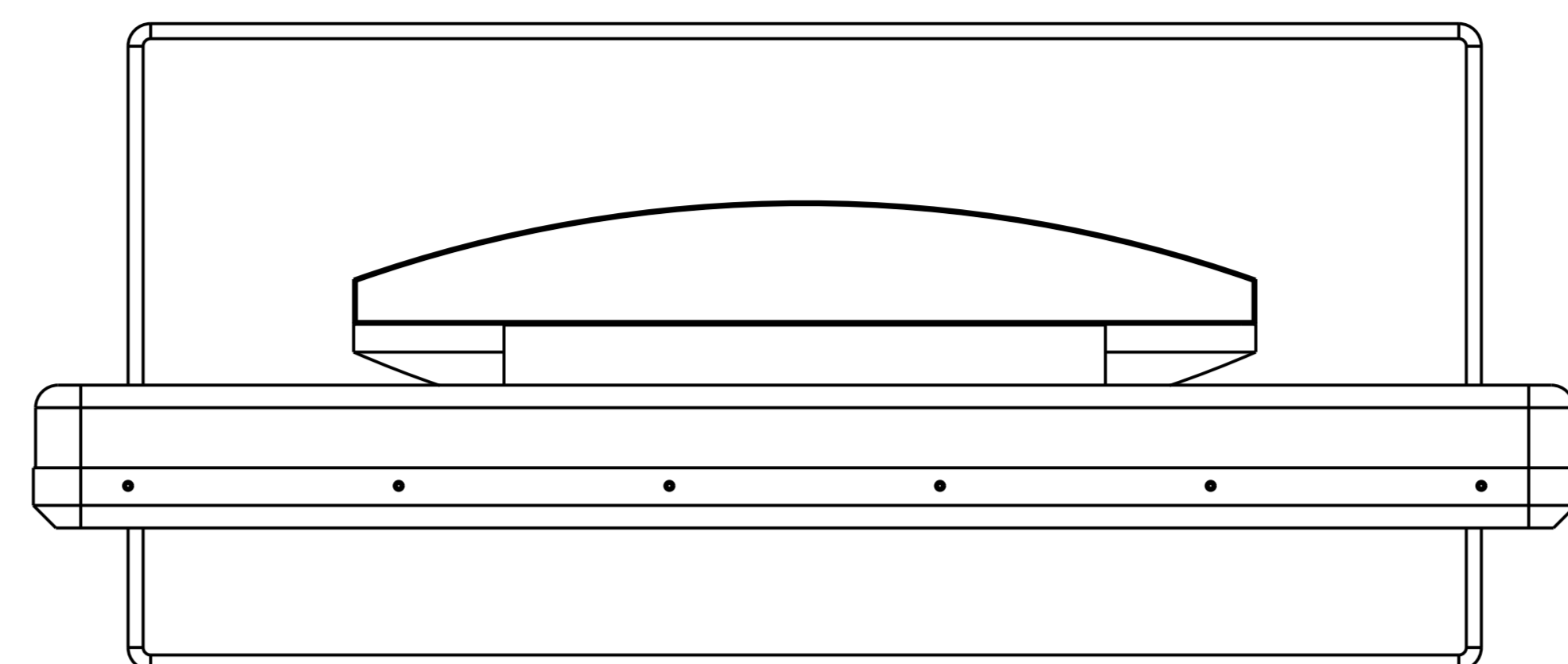
B

C

C

D

D



AD/BOARD		MODEL	KS42001			Winsonic Electronics. Co., Ltd.				
INVERTER										
KEY PAD										
PANEL :	VERSION	MATERIAL	METAL	DATE	2013-Oct-04	PART NAME	ASSEMBLY			
	V1					APPROVED	DRAWN	Chris	SCALE	0.250
								UNIT	MM	

I 2 3 4 5