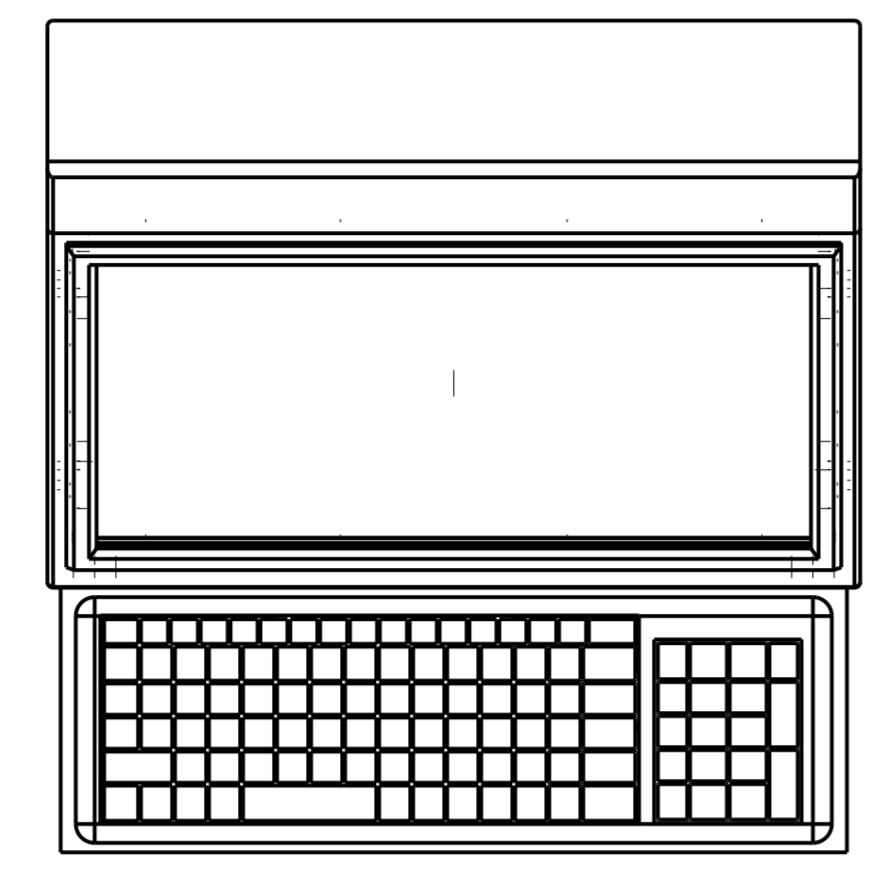


I 2 3 4 5

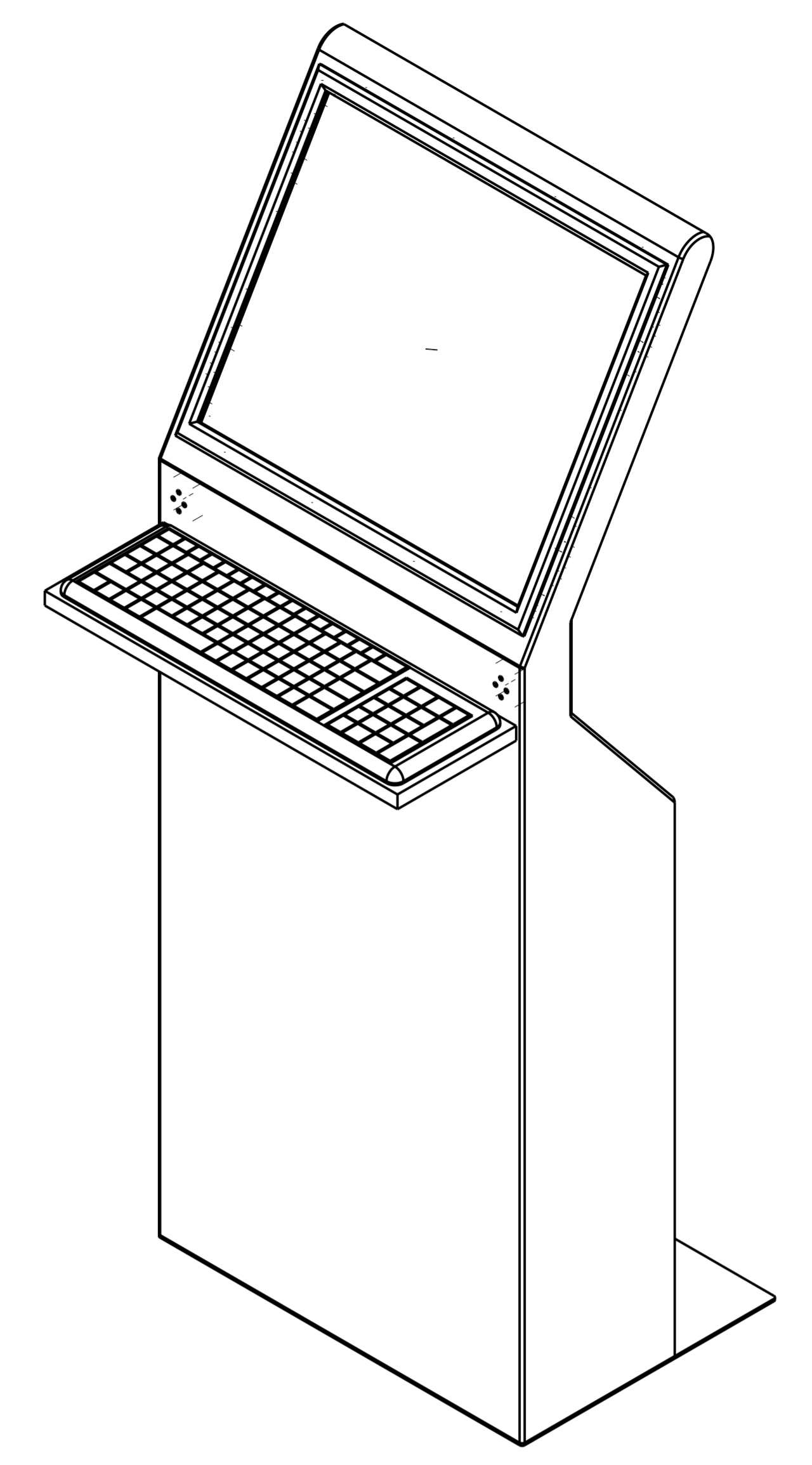
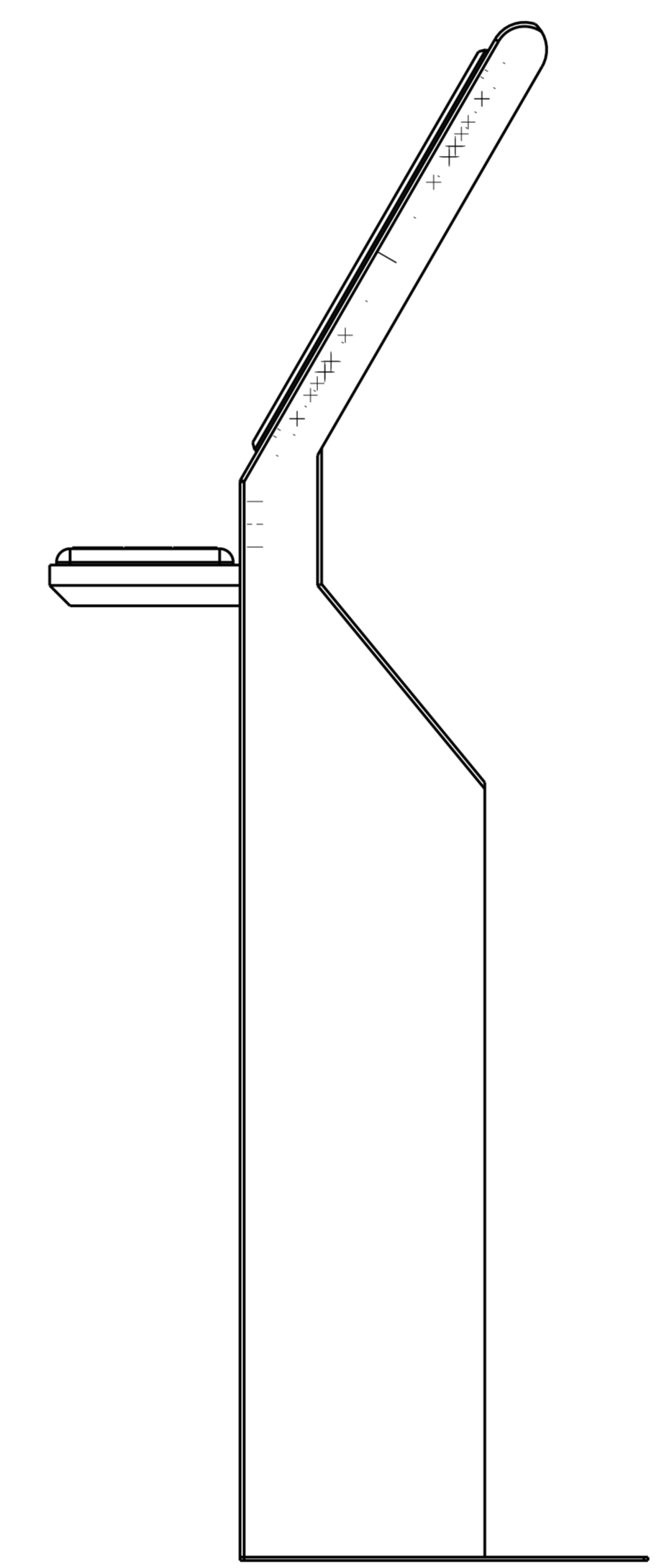
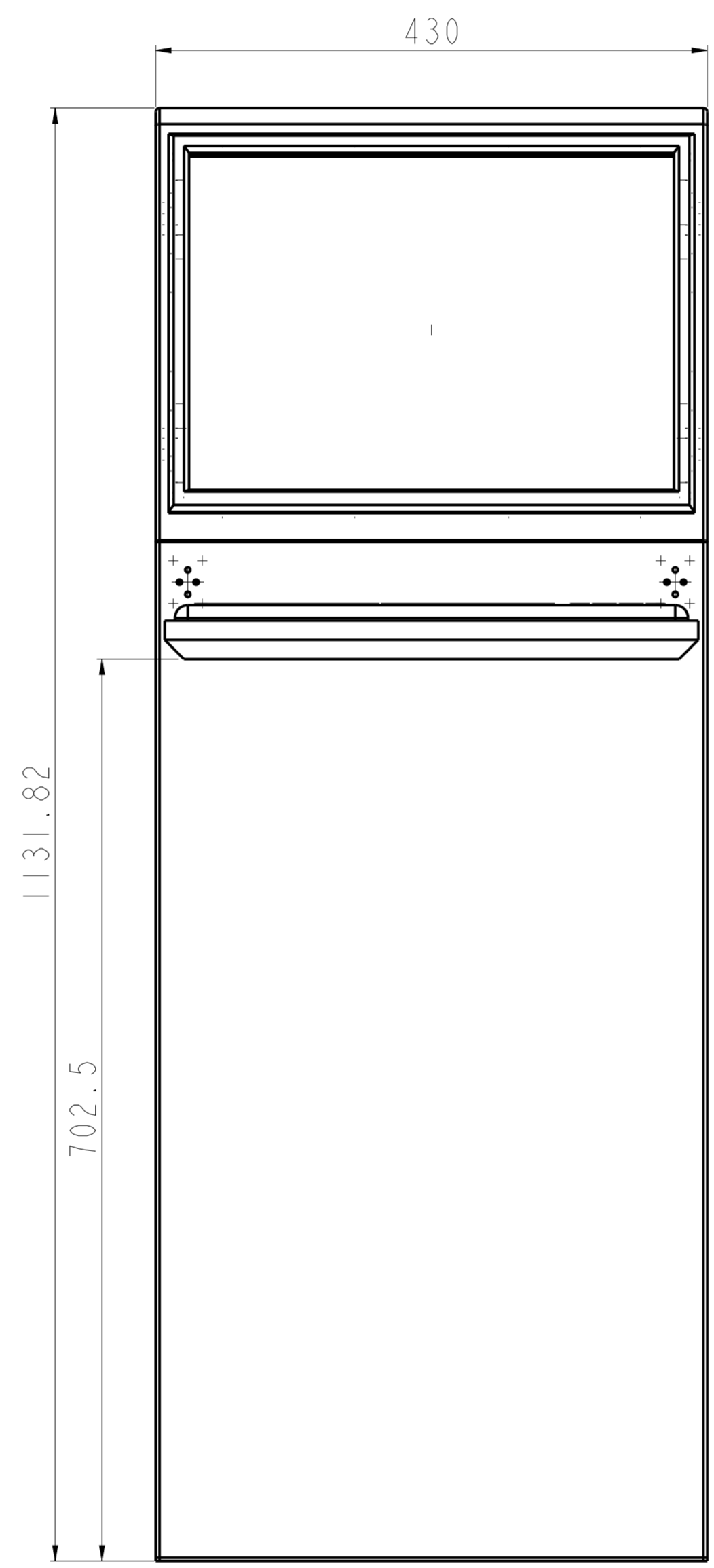
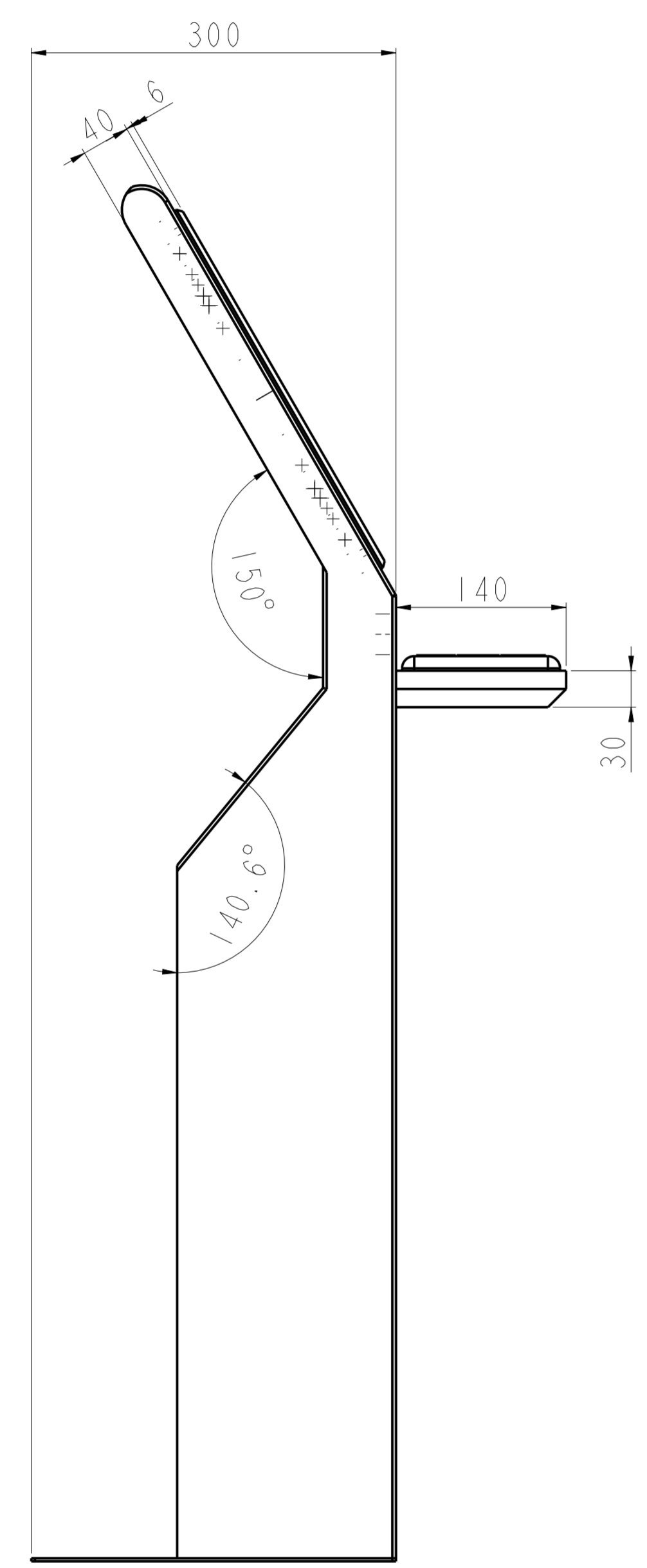
A

A



B

B



C

C

AD/BOARD		MODEL	KS19003			Winsonic Electronics. Co., Ltd.					
INVERTER											
KEY PAD											
PANEL :	VERSION	MATERIAL	METAL	DATE	2012-Oct-08	PART NAME	ASSEMBLY	DRAWN	Chris		
	V1									SCALE	0.250
						APPROVED				UNIT	MM

I 2 3 4 5