

1 2 3 4 5

A

B

C

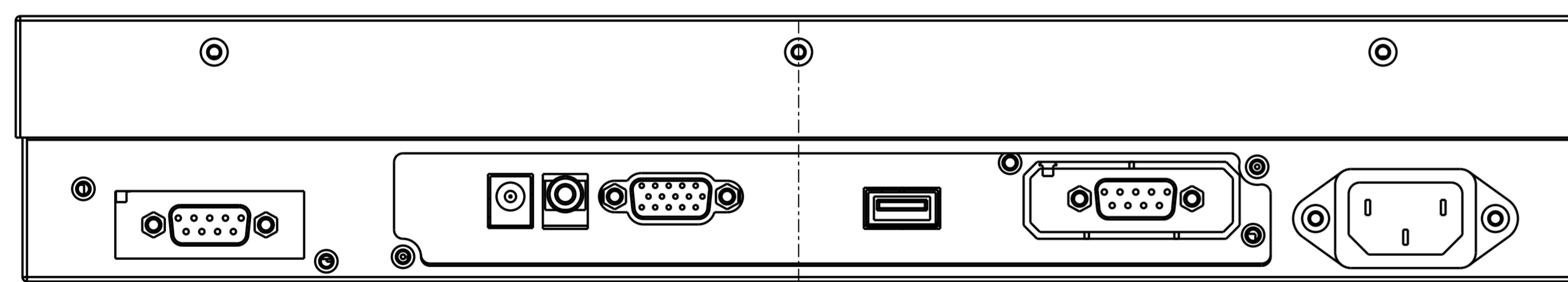
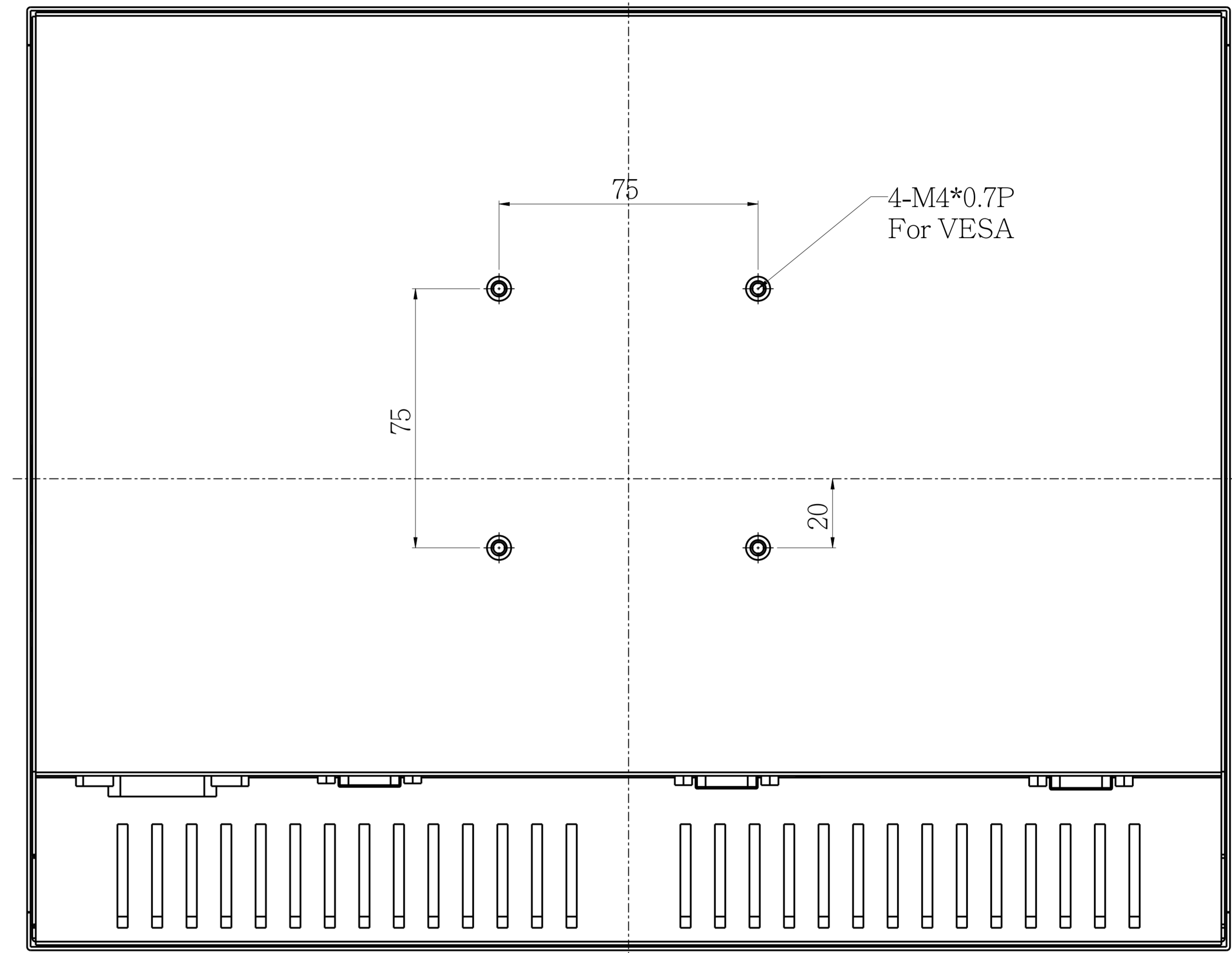
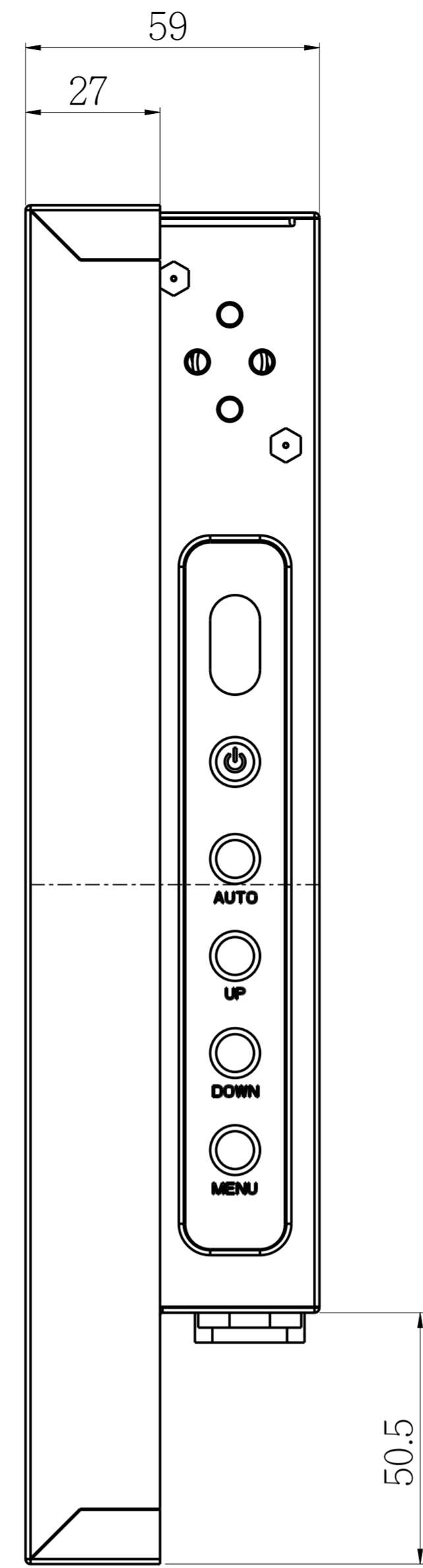
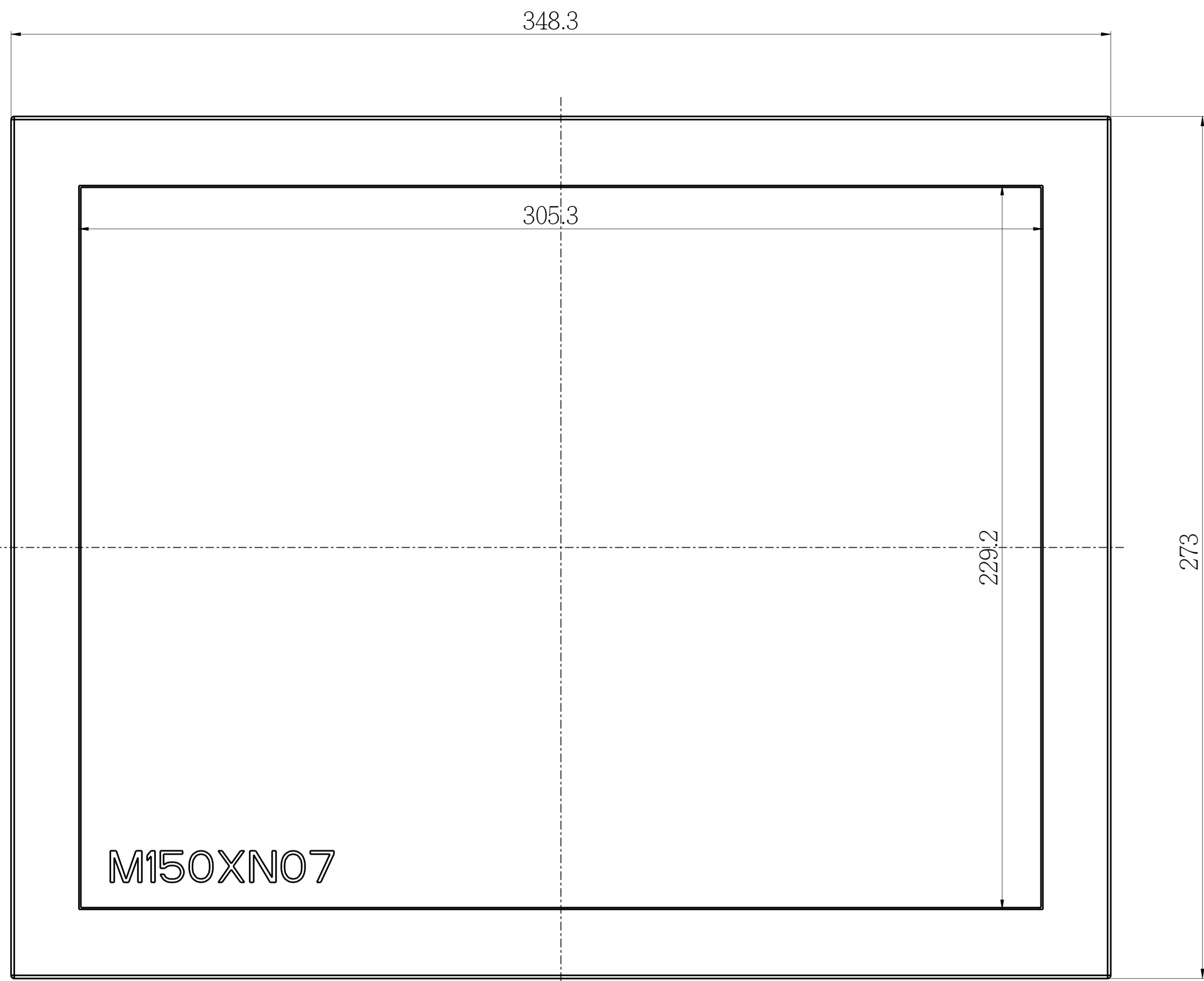
D

A

B

C

D



AD/BOARD

INVERTER

KEY PAD

PANEL:

MODEL

CH1505

泓瑜科技有限公司  
WINSONIC TECH. CO., LTD.

PART NAME

ASSEMBLY

VERSION

MATERIAL

METAL

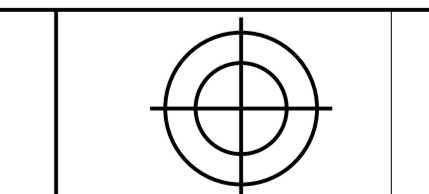
DATE

2012-Mar-01

APPROVED

DRAWN

Jack



SCALE 1.000

UNIT MM

1

2

3

4

5